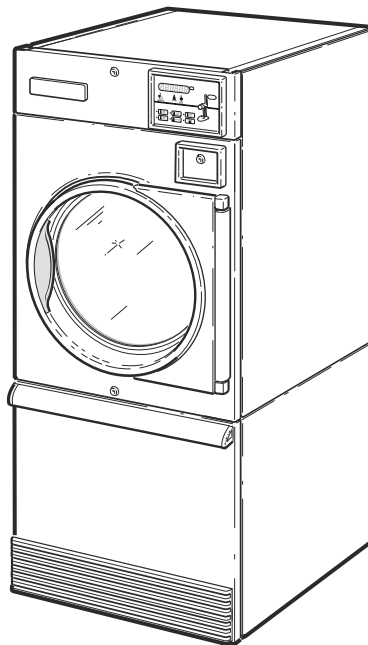


Tumble Dryers

35 Pound Capacity

18 Digit Model Numbers with 3 and 5 in 13th Position

Refer to Page 5 for Model Numbers



TMB1283C_70591401

Table of Contents

| Title | Page |
|---|------|
| Parts Ordering Information..... | 3 |
| Serial Plate Location | 3 |
| Machine Identification | 5 |
| Product Overview - Heat Source and Voltage | 6 |
| Product Overview - FN Control Suffix | 8 |
| Product Overview - DN and NN Control Suffixes..... | 10 |
| Product Overview - B, N and W Control Suffixes..... | 12 |
| Dual Digital Control | 14 |
| Electronic Display Control - Vend Models with B in the 7th Position | 16 |
| Electronic Display Control - Vend Models with N or W in the 7th Position..... | 18 |
| Electronic Display Control Overlays - Vend Models with N or W in the 7th Position | 20 |
| Electronic Display Control - OPL Models with N in the 7th Position | 22 |
| 3.5 Inch Graphical Control | 24 |
| Coin Drops | 26 |
| Coin Drop Kits..... | 28 |
| Network Board, Central Pay and Card Reader Components..... | 30 |
| Door Assemblies..... | 32 |
| Door Components..... | 34 |
| Hinge Components - Design 3 Models | 36 |
| Hinge Components - Design 5 Models | 38 |
| False Fronts | 40 |
| Control Panels | 42 |
| Control Panels - Design 5 S Models | 44 |
| Front Panel Assemblies - Design 3 Models | 46 |
| Front Panel Assemblies - Design 5 Models | 48 |
| Cabinet Front Components..... | 50 |
| Emergency Stop Button - OPL Models | 52 |
| Lower Cabinet Components | 54 |
| Cylinder and Trunnion Assembly | 56 |
| Moisture Sensing Components | 58 |
| Cylinder Components | 60 |
| Cabinet Components | 62 |
| Fire Suppression System Components | 64 |
| Fire Suppression System Control Box | 66 |
| Motor Components | 68 |
| Blower and Exhaust Components..... | 70 |
| Airflow Switch..... | 72 |
| Gas Heater Components | 74 |
| Burner Orifices | 76 |
| Electric Heater Components | 78 |
| Steam Heater Components | 80 |

© Copyright 2023, Alliance Laundry Systems LLC

All rights reserved. No part of the contents of this book may be reproduced or transmitted in any form or by any means without the expressed written consent of the publisher.

| | |
|--|----|
| Control Tray | 82 |
| Accessory Box - Electric 200-240 Volt Models | 84 |
| Accessory Box - Electric 380-480 Volt Models | 86 |
| Harnesses | 88 |
| Labels | 89 |
| Parts Index..... | 91 |

Parts Ordering Information

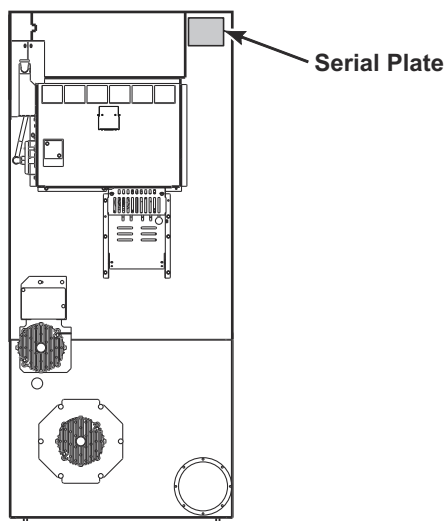
If literature or replacement parts are required, contact the source from whom the machine was purchased or contact Alliance Laundry Systems at (920) 748-3950 for the name and address of the nearest authorized parts distributor.

For technical assistance, call the number listed below:

(920) 748-3121 Ripon, Wisconsin

Serial Plate Location

When calling or writing about your product, be sure to mention model and serial numbers. Model and serial numbers are located on serial plate(s) as shown.



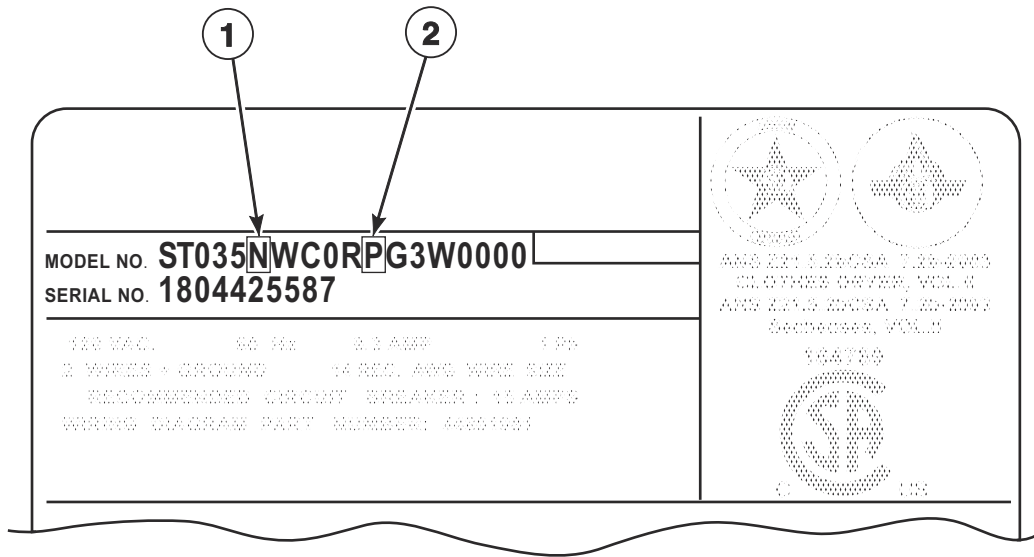
TMB3500P_70591401

Machine Identification

Information in this manual is applicable to these machines:

| | | | | |
|--------|--------|--------|--------|--------|
| BA035E | HA035M | JU035E | SG035M | UG035D |
| BA035F | HA035N | JU035N | SG035N | UG035E |
| BA035L | HA035R | PA035E | SG035R | UG035F |
| BA035M | HA035S | PA035L | SG035S | UG035L |
| BA035N | HG035D | PA035M | SH035E | UG035M |
| BA035R | HG035E | PA035N | SH035F | UG035N |
| BA035S | HG035F | PA035S | SH035L | UG035R |
| BG035D | HG035L | PG035E | SH035M | UG035S |
| BG035E | HG035M | PG035L | SH035N | UH035E |
| BG035F | HG035N | PG035M | SH035R | UH035F |
| BG035L | HG035R | PG035N | SH035S | UH035L |
| BG035M | HG035S | PG035S | SJ035D | UH035M |
| BG035N | HH035E | PH035E | SJ035E | UH035N |
| BG035R | HH035F | PH035L | SJ035F | UH035R |
| BG035S | HH035L | PH035M | SJ035L | UH035S |
| BH035E | HH035M | PH035N | SJ035M | UJ035D |
| BH035F | HH035N | PH035S | SJ035N | UJ035E |
| BH035L | HH035R | PJ035E | SJ035R | UJ035F |
| BH035M | HH035S | PJ035L | SJ035S | UJ035L |
| BH035N | HJ035D | PJ035M | SK035E | UJ035M |
| BH035R | HJ035E | PJ035N | SK035F | UJ035N |
| BH035S | HJ035F | PJ035S | SK035L | UJ035R |
| BJ035D | HJ035L | PK035E | SK035N | UJ035S |
| BJ035E | HJ035M | PK035L | SK035R | UK035E |
| BJ035F | HJ035N | PK035N | SL035E | UK035F |
| BJ035L | HJ035R | PL035E | SL035L | UK035L |
| BJ035M | HJ035S | PL035L | SR035E | UK035N |
| BJ035N | HK035E | PR035E | SR035S | UK035R |
| BJ035R | HK035F | PR035S | ST035E | UL035E |
| BJ035S | HK035L | PT035E | ST035F | UL035L |
| BK035E | HK035N | PT035L | ST035L | UR035E |
| BK035F | HK035R | PT035M | ST035M | UR035S |
| BK035L | HL035E | PT035N | ST035N | UT035E |
| BK035N | HL035L | PT035S | ST035R | UT035F |
| BK035R | HR035E | PU035E | ST035S | UT035L |
| BL035E | HR035S | PU035L | SU035E | UT035M |
| BL035L | HT035E | PU035M | SU035F | UT035N |
| BR035E | HT035F | PU035N | SU035L | UT035R |
| BR035S | HT035L | PU035S | SU035M | UT035S |
| BU035E | HT035M | SA035E | SU035N | UU035E |
| BU035F | HT035N | SA035F | SU035P | UU035F |
| BU035L | HT035R | SA035L | SU035R | UU035L |
| BU035M | HT035S | SA035M | SU035S | UU035M |
| BU035N | HU035E | SA035N | UA035E | UU035N |
| BU035R | HU035F | SA035R | UA035F | UU035R |
| BU035S | HU035L | SA035S | UA035L | UU035S |
| HA035E | HU035M | SG035D | UA035M | |
| HA035F | HU035N | SG035E | UA035N | |
| HA035L | HU035R | SG035F | UA035R | |
| | HU035S | SG035L | UA035S | |

Product Overview - Heat Source and Voltage



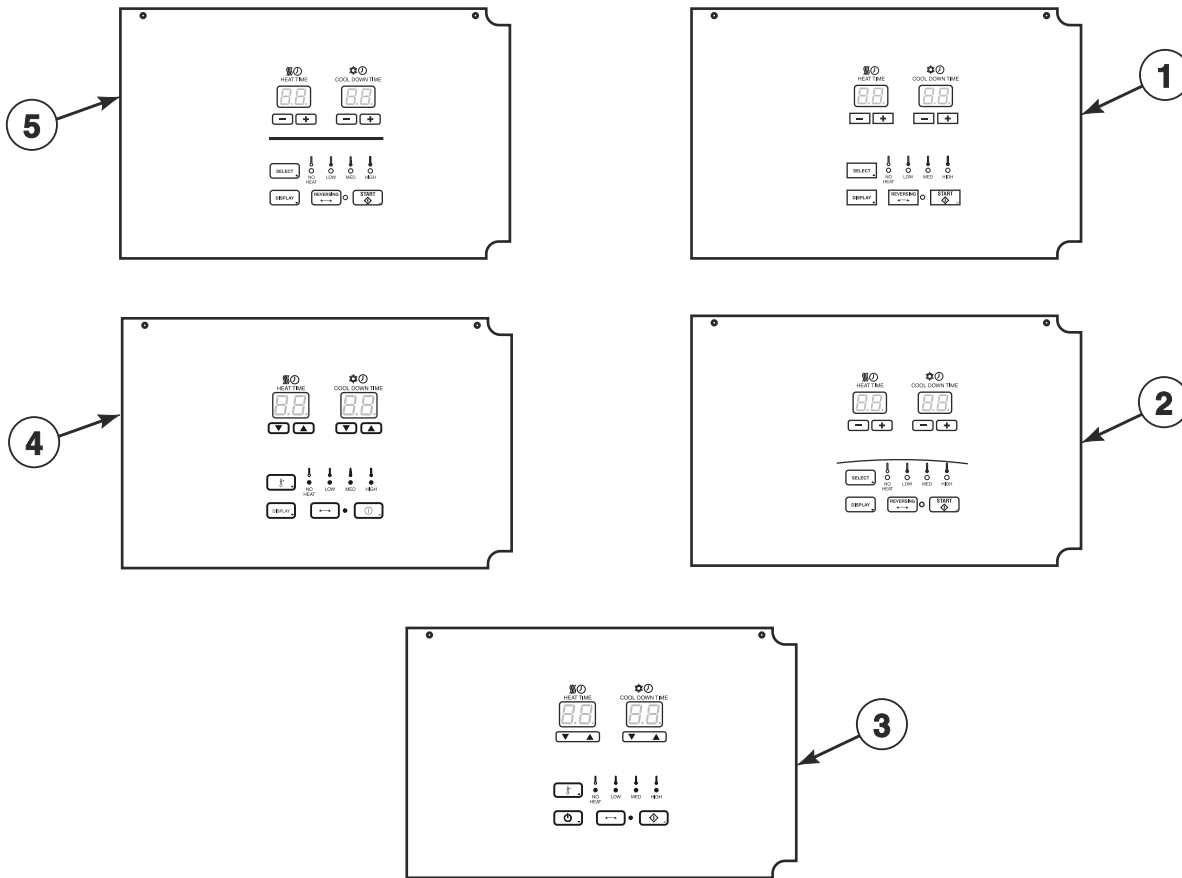
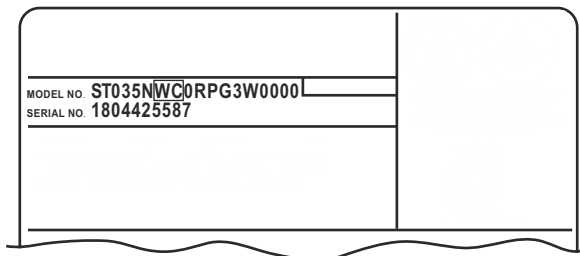
TMB3529P_70591401

Product Overview - Heat Source and Voltage

| REF | PART NO. | DESCRIPTION | COMMENTS |
|-----|----------|-------------|--|
| 1 | - | Heat Source | D: Liquid Petroleum Gas (L.P) E: Electric F: Reduced Electric (Eco Line) L: Liquid Petroleum Gas (L.P.) M: Medium Electric N: Natural Gas (N.G.) P: Low Electric R: Reduced Gas, Natural Gas (Eco Line) S: Steam |
| 2 | - | Voltage | B: 100-120 Volt/50-60 Hertz/1 Phase; Gas and steam models D: 200-208 Volt/50-60 Hertz/1 Phase; Electric models E: 230-240 Volt/50-60 Hertz/1 Phase; Electric models F: 200-208 Volt/50-60 Hertz/3 Phase; Electric models G: 230-240 Volt/50-60 Hertz/3 Phase; Electric models H: 380 Volt/50-60 Hertz/3 Phase; Electric models J: 400-415 Volt/50-60 Hertz/3 Phase; Electric models K: 440 Volt/50-60 Hertz/3 Phase; Electric models L: 460-480 Volt/50-60 Hertz/3 Phase; Electric models N: 440-480 Volt/50-60 Hertz/3 Phase; Gas and steam models P: 380-415 Volt/50-60 Hertz/3 Phase; Gas and steam models X: 200-240 Volt/50-60 Hertz/1-3 Phase; Gas and steam models |

Product Overview - FN Control Suffix

OPL



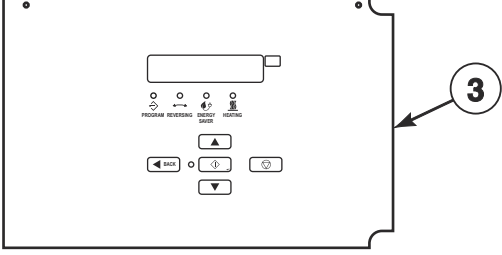
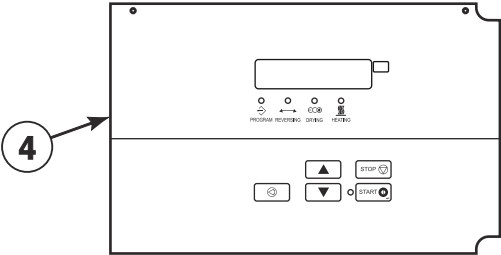
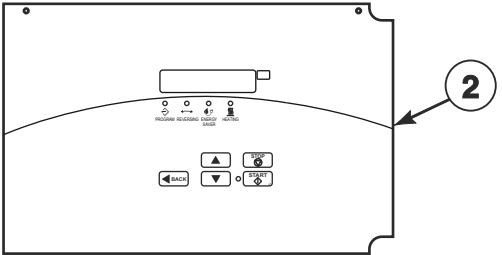
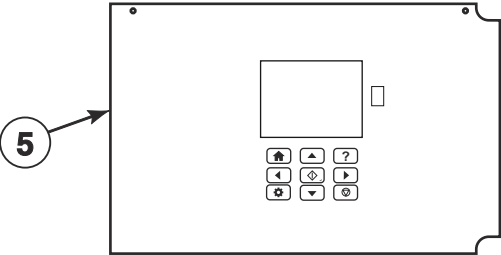
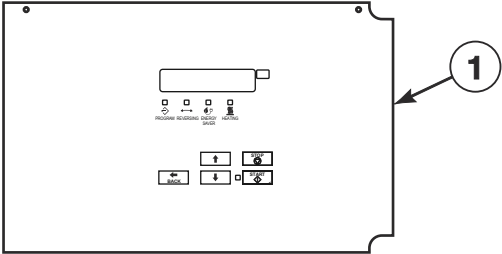
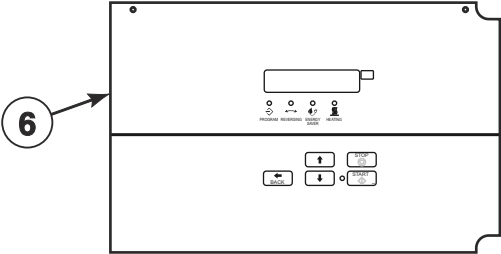
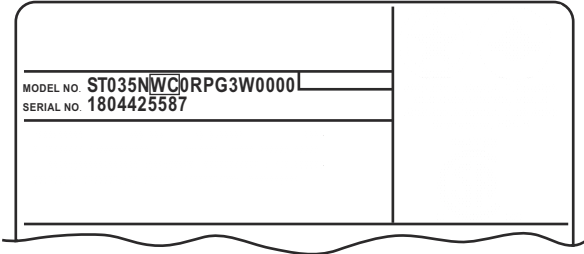
TMB3530P_70591401

Product Overview - FN Control Suffix

| REF | PART NO. | DESCRIPTION | COMMENTS |
|-----|----------|----------------------|----------|
| 1 | - | Dual Digital Control | H models |
| 2 | - | Dual Digital Control | U models |
| 3 | - | Dual Digital Control | B models |
| 4 | - | Dual Digital Control | P models |
| 5 | - | Dual Digital Control | S models |

Product Overview - DN and NN Control Suffixes

OPL



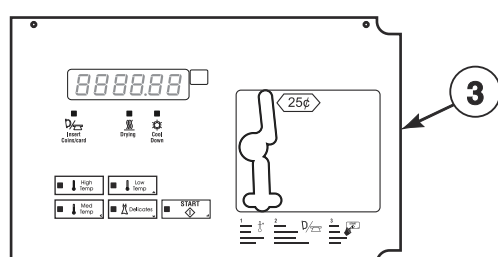
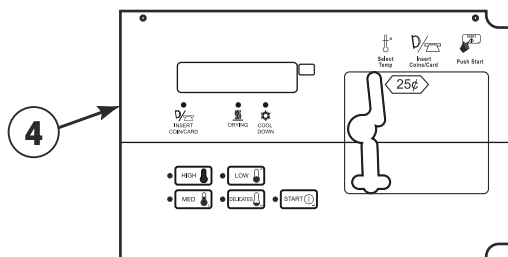
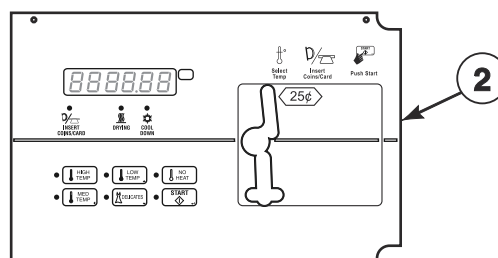
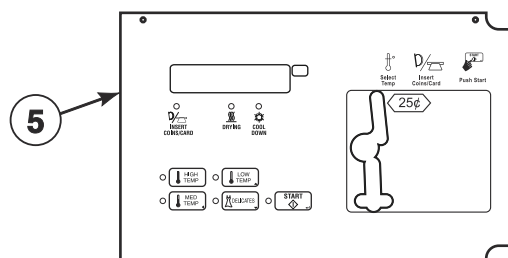
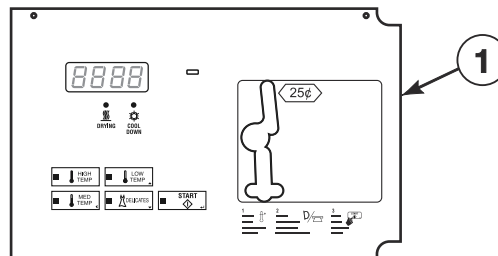
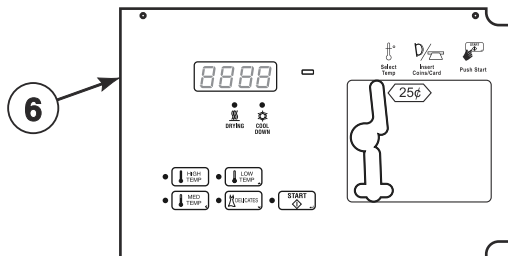
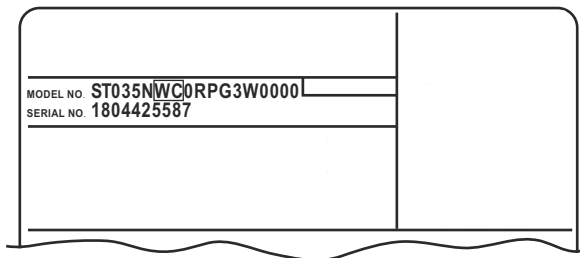
TMB3531P_70591401

Product Overview - DN and NN Control Suffixes

| REF | PART NO. | DESCRIPTION | COMMENTS |
|-----|----------|----------------------|----------|
| 1 | - | Galaxy Control | H models |
| 2 | - | M-Series Control | U models |
| 3 | - | OPTimum Control | B models |
| 4 | - | OPL Micro Control | P models |
| 5 | - | UniLinc Control | U models |
| 6 | - | Quantum Gold Control | S models |

Product Overview - B, N and W Control Suffixes

7th Position of the Model Number; Vend



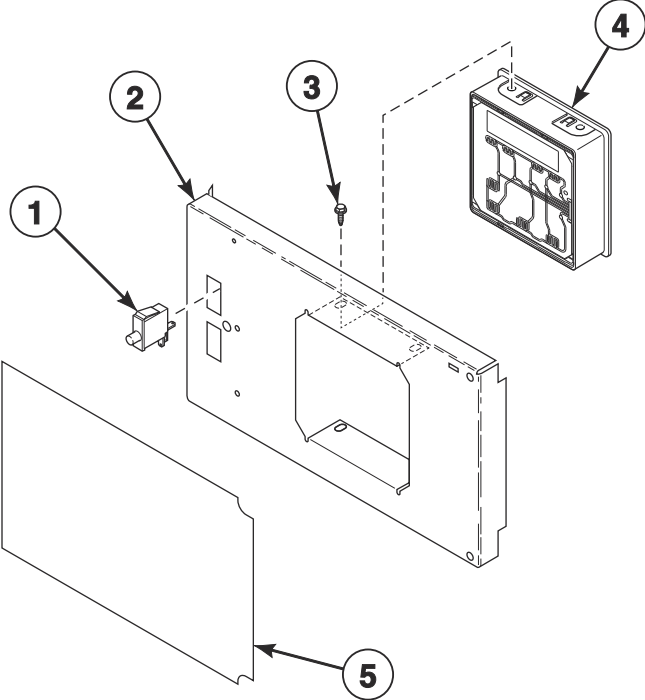
TMB3532P_70591401

Product Overview - B, N and W Control Suffixes

| REF | PART NO. | DESCRIPTION | COMMENTS |
|-----|----------|--------------------------|----------------|
| 1 | - | Basic Electronic Control | H models |
| 2 | - | Quantum Gold Control | S models |
| 3 | - | Galaxy 600 | H models |
| 4 | - | XQ Control | P models |
| 5 | - | EVO7S Control | B and J models |
| 6 | - | MDC II Control | S models |

Dual Digital Control

Models with F in the 7th Position



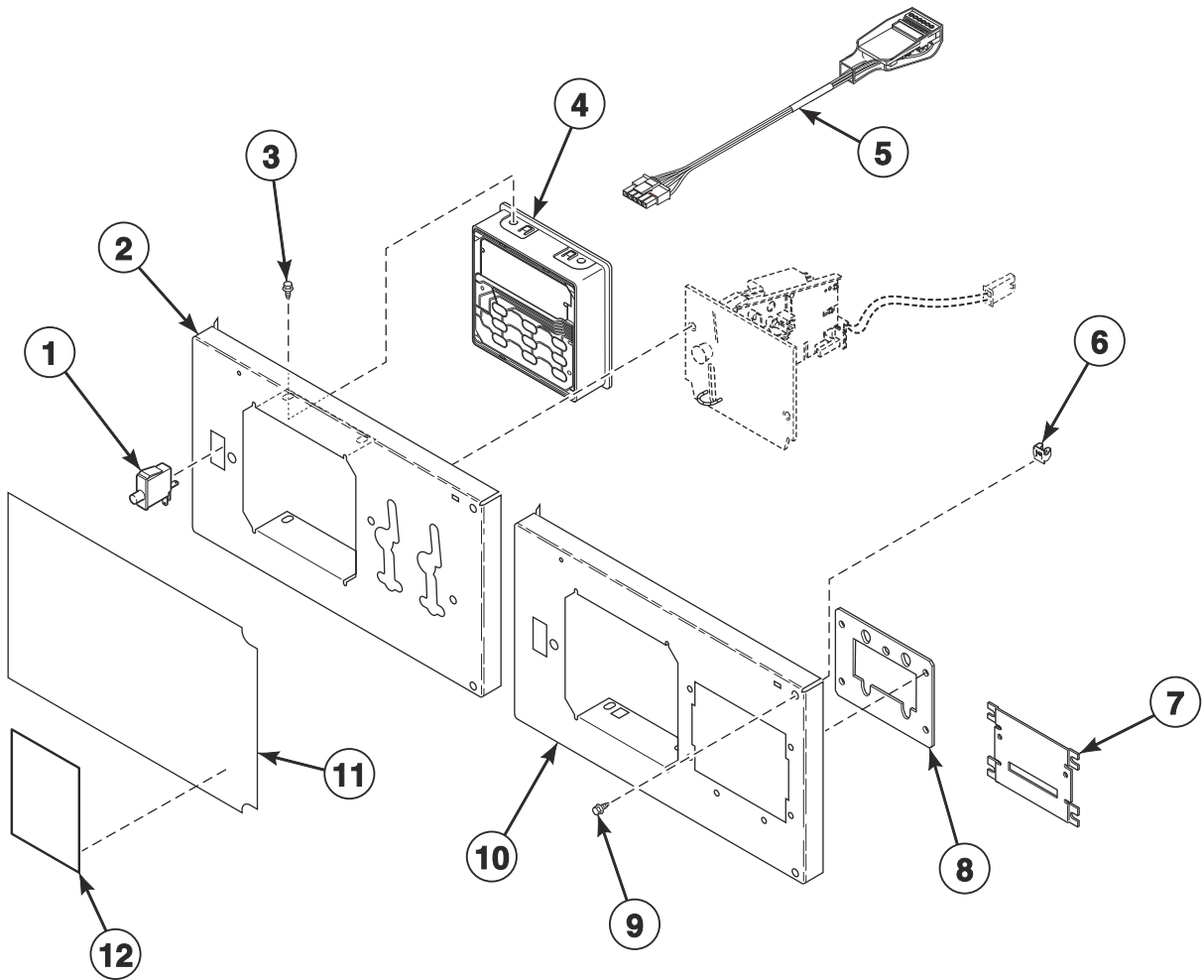
TMB3505P_70591401

Dual Digital Control

| REF | PART NO. | DESCRIPTION | COMMENTS |
|-----|----------|-------------------------|--|
| | 44334004 | Vend Activation Harness | |
| 1 | 70413301 | Pushbutton Switch | |
| 2 | 70497101 | Control Plate | Design 3 and 5 H and U models; Design 3 S models; All other models |
| 3 | 804608 | Screw | 4 required |
| 4 | 70523101 | Control Assembly | P models; Blue |
| | 70479801 | Control Assembly | H, S and U models; Green |
| | 70479901 | Control Assembly | B models; Red |
| 5 | 70539102 | Overlay | B models; Nonreversing |
| | 70539101 | Overlay | B models; Reversing |
| | 70517802 | Overlay | H models; Nonreversing; Design 3 |
| | 70517801 | Overlay | H models; Reversing; Design 3 |
| | 70636502 | Overlay | H models; Nonreversing; Design 5 |
| | 70636501 | Overlay | H models; Reversing; Design 5 |
| | 70545502 | Overlay | P models; Nonreversing |
| | 70545501 | Overlay | P models; Reversing |
| | 70516802 | Overlay | S models; Nonreversing; Design 3 |
| | 70516801 | Overlay | S models; Reversing; Design 3 |
| | 70638702 | Overlay | S models; Nonreversing; Design 5 |
| | 70638701 | Overlay | S models; Reversing; Design 5 |
| | 70519002 | Overlay | U models; Nonreversing; Design 3 |
| | 70519001 | Overlay | U models; Reversing; Design 3 |
| | 70638802 | Overlay | U models; Nonreversing; Design 5 |
| | 70638801 | Overlay | U models; Nonreversing; Design 5 |

Electronic Display Control - Vend Models with B in the 7th Position

H and S Models



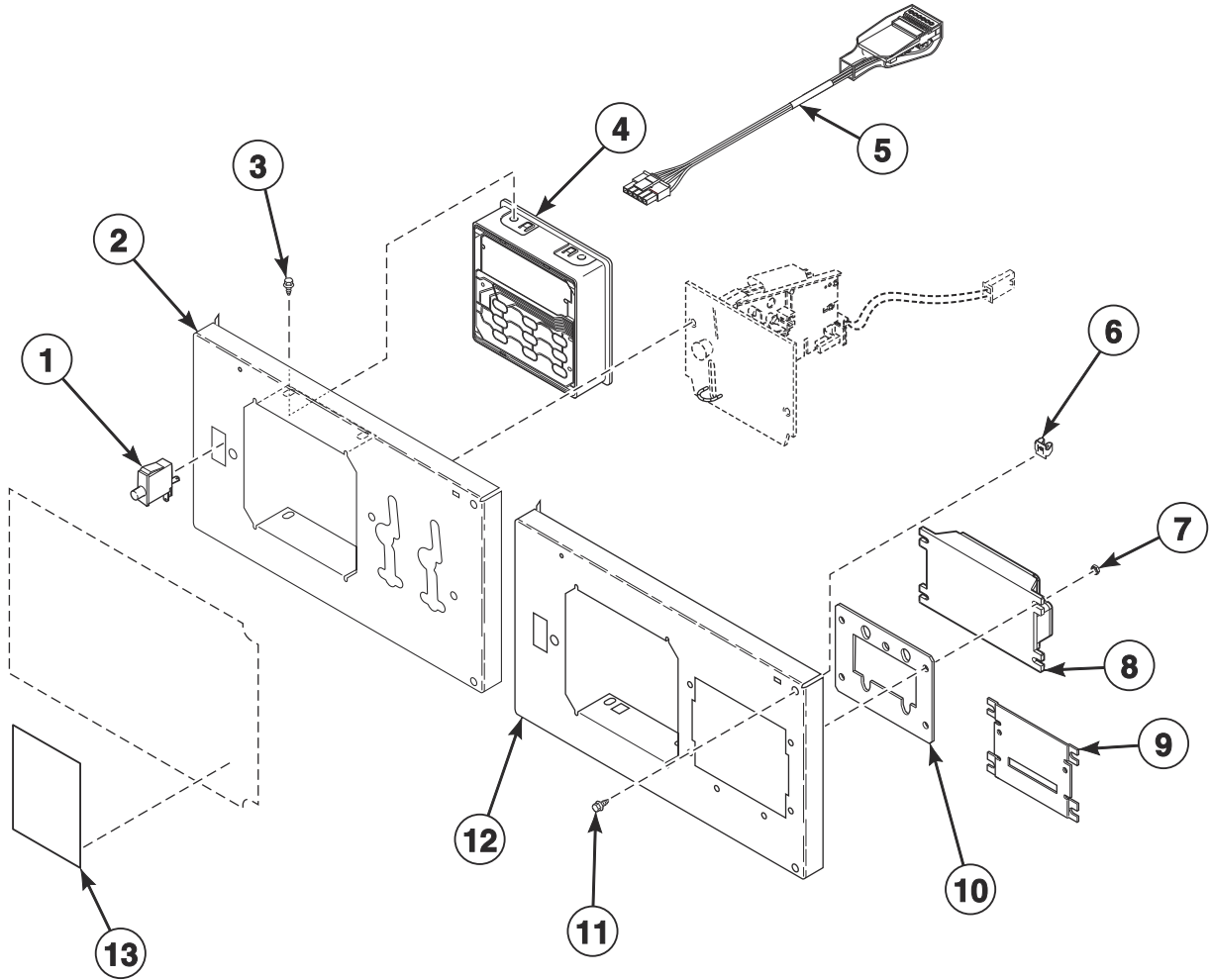
TMB3678P_70591401

Electronic Display Control - Vend Models with B in the 7th Position

| REF | PART NO. | DESCRIPTION | COMMENTS |
|-----------|-----------|----------------------------------|--|
| | 44334004 | Vend Activation Harness | |
| | 44342801 | Central Pay Harness | Models through November 2018 |
| 1 | 70413301 | Pushbutton Switch | |
| 2 | 70496601 | Control Plate and Studs Assembly | Coin and central pay; Design 3 and 5 H models; Design 3 S models |
| 3 | 804608 | Screw | 4 required |
| 4 | 70478801P | Control Assembly | |
| 5 | 203361P | Machine ID Control Assembly | Model or serial number is required when ordering |
| 6 | 70030501 | Expansion Clip | 2 required |
| 7 | 44089501 | Slot Card Plate Assembly | Included in literature packet |
| 8 | 70208801 | Mounting Plate | |
| 9 | M411072 | Screw | 2 required |
| 10 | 70497201 | Control Plate Assembly | Card and card ready; Design 3 and 5 H models; Design 3 S models |
| 11 | 70544701 | Overlay | S models; Single drop; Design 3 |
| | 70544702 | Overlay | S models; Dual drop; Design 3 |
| | 70544703 | Overlay | S models; Card ready; Design 3 |
| | 70638201 | Overlay | S models; Single drop; Design 5 |
| | 70638202 | Overlay | S models; Dual drop; Design 5 |
| | 70638203 | Overlay | S models; Card ready; Design 5 |
| | 70570301 | Overlay | H models; Single drop; Design 3 |
| | 70570302 | Overlay | H models; Dual drop; Design 3 |
| | 70570303 | Overlay | H models; Card ready; Design 3 |
| | 70636101 | Overlay | H models; Single drop; Design 5 |
| | 70636102 | Overlay | H models; Dual drop; Design 5 |
| | 70636103 | Overlay | H models; Card ready; Design 5 |
| | 12 | F8205101 | Overlay |
| F8696101 | | Overlay | Black; Single drop; Left; Design 5 |
| 70557001 | | Overlay | S models; Prep for card; Design 3 |
| 70557002 | | Overlay | S models; Central pay; Design 3 |
| F8696301 | | Overlay | S models; Prep for card; Design 5 |
| F8696302 | | Overlay | S models; Central pay; Design 5 |
| 70556501 | | Overlay | H models; Prep for card; Design 3 |
| 70556502 | | Overlay | H models; Central pay; Design 3 |
| 70646001 | | Overlay | H models; Prep for card; Design 5 |
| 70646002 | | Overlay | H models; Central pay; Design 5 |

Electronic Display Control - Vend Models with N or W in the 7th Position

B, H, J, P and S Models



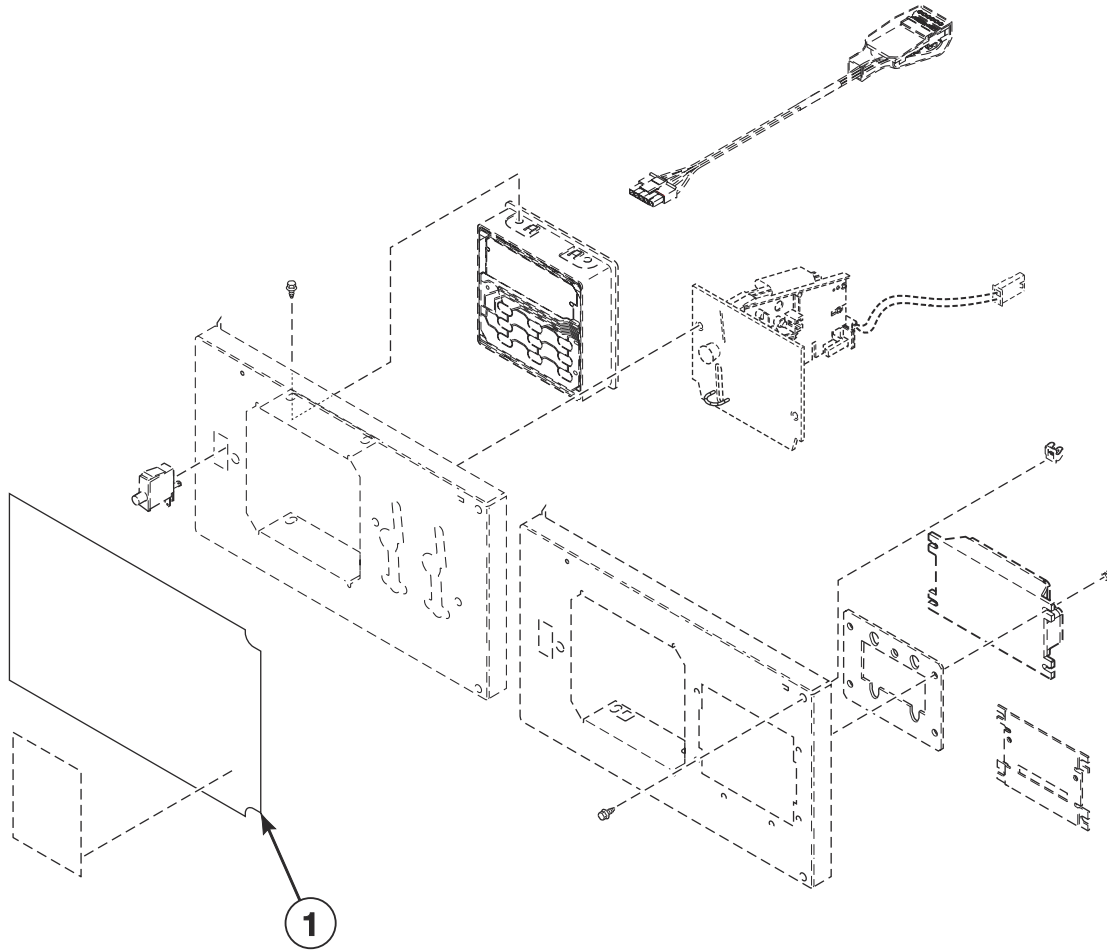
TMB3832P

Electronic Display Control - Vend Models with N or W in the 7th Position

| REF | PART NO. | DESCRIPTION | COMMENTS |
|-----|-----------|----------------------------------|--|
| | 44334004 | Vend Activation Harness | |
| | F8719301 | Fob Communication Harness | |
| 1 | 70413301 | Pushbutton Switch | |
| 2 | 70496601 | Control Plate and Studs Assembly | Coin and central pay; Design 3 and 5 H models; Design 3 S models; All other models |
| 3 | 804608 | Screw | 4 required |
| 4 | 70523001 | Control Assembly | P models; Blue |
| | 70478801P | Control Assembly | H and S models; Green |
| | 70478901 | Control Assembly | B and J models; Red |
| 5 | 203361P | Machine ID Control Assembly | Model or serial number is required when ordering |
| 6 | 70030501 | Expansion Clip | |
| 7 | 70054 | Nut | |
| 8 | 205135 | Fob Reader Control Assembly | |
| 9 | 44089501 | Slot Card Plate Assembly | |
| 10 | 70208801 | Mounting Plate | |
| 11 | M411072 | Screw | |
| 12 | 70497201 | Control Plate Assembly | Card, card ready and FOB; Design 3 and 5 H models; Design 3 S models; All other models |
| 13 | F8205101 | Overlay | S models; Single drop; Left; Design 3 |
| | 70557001 | Overlay | B and S models; Prep for card; Design 3 |
| | 70557002 | Overlay | B and S models; Central pay; Design 3 |
| | 70295101 | Overlay | S models; World drop; Design 3 |
| | F8696101 | Overlay | S models; Single drop; Left; Design 5 |
| | F8696301 | Overlay | S models; Pre for card; Design 5 |
| | F8696302 | Overlay | S models; Central pay; Design 5 |
| | F8696201 | Overlay | S models; World drop; Design 5 |
| | 70556801 | Overlay | H models; World drop; Design 3 |
| | 70556501 | Overlay | H models; Prep for card; Design 3 |
| | 70556502 | Overlay | H models; Central pay; Design 3 |
| | 70556601 | Overlay | H models; Single drop; Left; Design 3 |
| | 70556901 | Overlay | H models; Citron; World drop; Design 3 |
| | 70518101 | Overlay | H models; Citron; Prep for card; Design 3 |
| | 70518102 | Overlay | H models; Citron; Central pay; Design 3 |
| | 70556701 | Overlay | H models; Citron; Left; Design 3 |
| | 70645901 | Overlay | H models; World drop; Design 5 |
| | 70646001 | Overlay | H models; Prep for card; Design 5 |
| | 70646002 | Overlay | H models; Central pay; Design 5 |
| | 70645601 | Overlay | H models; Single drop; Left; Design 5 |
| | 70645801 | Overlay | H models; Citron; World drop; Design 5 |
| | 70646101 | Overlay | H models; Citron; Prep for card; Design 5 |
| | 70645701 | Overlay | H models; Citron; Single drop; Left; Design 5 |
| | 70646102 | Overlay | H models; Citron; Central pay; Design 5 |
| | 70556201 | Overlay | P models; Single drop; Right |
| | 70556401 | Overlay | P models; Prep for card |
| | 70556402 | Overlay | P models; Central pay |
| | 70556301 | Overlay | P models; Single drop; Left |
| | F8733901 | Overlay | S models; FOB |
| | F8734201 | Overlay | H models; FOB |
| | F8736501 | Overlay | H models; Citron; FOB |

Electronic Display Control Overlays - Vend Models with N or W in the 7th Position

B, H, J, P and S Models

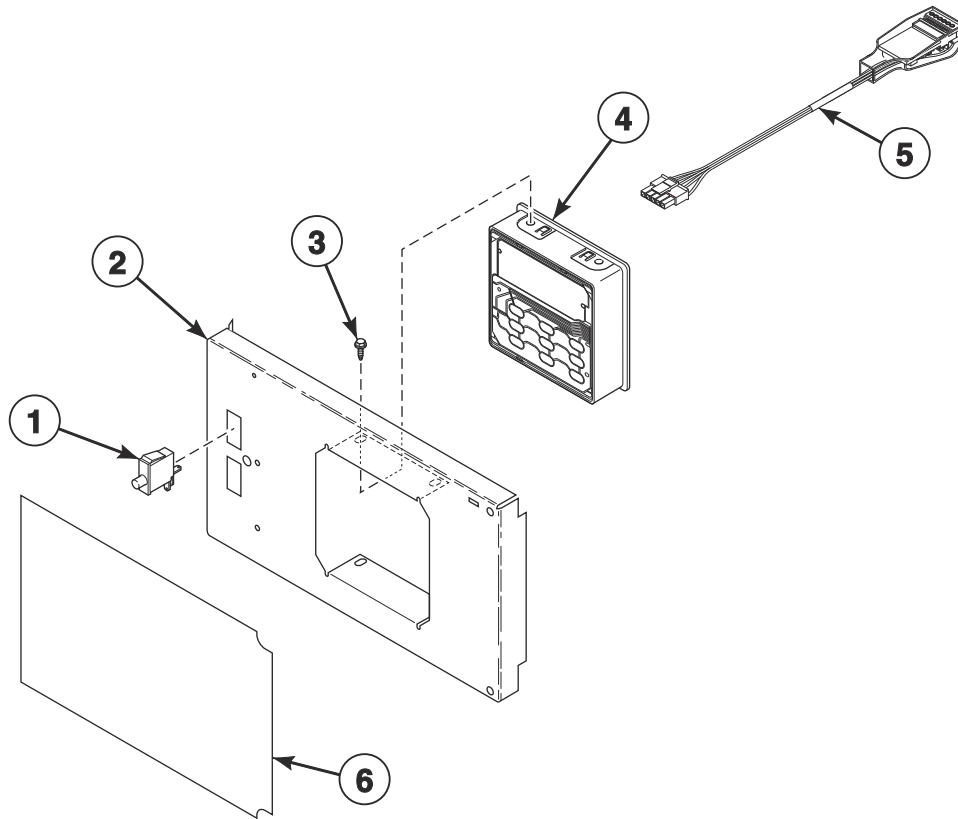


TMB3832PA

Electronic Display Control Overlays - Vend Models with N or W in the 7th Position

| REF | PART NO. | DESCRIPTION | COMMENTS |
|-----|----------|-------------|--|
| 1 | 70512004 | Overlay | S models; Single drop; Design 3 |
| | 70512005 | Overlay | S models; Dual drop; Design 3 |
| | 70512006 | Overlay | S models; Card ready; Design 3 |
| | 70512007 | Overlay | S models; Central pay; Design 3 |
| | 70512008 | Overlay | S models; World drop; Design 3 |
| | 70637601 | Overlay | S models; Single drop; Design 5 |
| | 70637602 | Overlay | S models; Dual drop; Design 5 |
| | 70637603 | Overlay | S models; Card ready; Design 5 |
| | 70637604 | Overlay | S models; Central pay; Design 5 |
| | 70637605 | Overlay | S models; World drop; Design 5 |
| | 70626301 | Overlay | S models; Single drop; English/Spanish; Design 3 |
| | 70626302 | Overlay | S models; Dual drop; English/Spanish; Design 3 |
| | 70626303 | Overlay | S models; Card ready; English/Spanish; Design 3 |
| | 70559001 | Overlay | Models SG035D and SJ035D |
| | 70517001 | Overlay | H models; Single drop; Design 3 |
| | 70517002 | Overlay | H models; Dual drop; Design 3 |
| | 70517003 | Overlay | H models; Card ready; Design 3 |
| | 70517004 | Overlay | H models; Central pay; Design 3 |
| | 70517005 | Overlay | H models; World drop; Design 3 |
| | 70636201 | Overlay | H models; Single drop; Design 5 |
| | 70636202 | Overlay | H models; Dual drop; Design 5 |
| | 70636203 | Overlay | H models; Card ready; Design 5 |
| | 70636204 | Overlay | H models; Central pay; Design 5 |
| | 70636205 | Overlay | H models; World drop; Design 5 |
| | 70571001 | Overlay | H models; Single drop; Cityscape |
| | 70571002 | Overlay | H models; Dual drop; Cityscape |
| | 70571003 | Overlay | H models; Card ready; Cityscape |
| | 70518201 | Overlay | H models; Single drop; Citron; Design 3 |
| | 70518202 | Overlay | H models; Dual drop; Citron; Design 3 |
| | 70518203 | Overlay | H models; Card ready; Citron; Design 3 |
| | 70636301 | Overlay | H models; Single drop; Citron; Design 5 |
| | 70636302 | Overlay | H models; Dual drop; Citron; Design 5 |
| | 70636303 | Overlay | H models; Card ready; Citron; Design 5 |
| | 70571101 | Overlay | B models; Single drop |
| | 70571102 | Overlay | B models; Dual drop |
| | 70571103 | Overlay | B models; Card ready |
| | 70541201 | Overlay | P models; Single drop |
| | 70541202 | Overlay | P models; Dual drop |
| | 70541203 | Overlay | P models; Card ready |
| | 70571104 | Overlay | J models; Electronic drop |

Electronic Display Control - OPL Models with N in the 7th Position



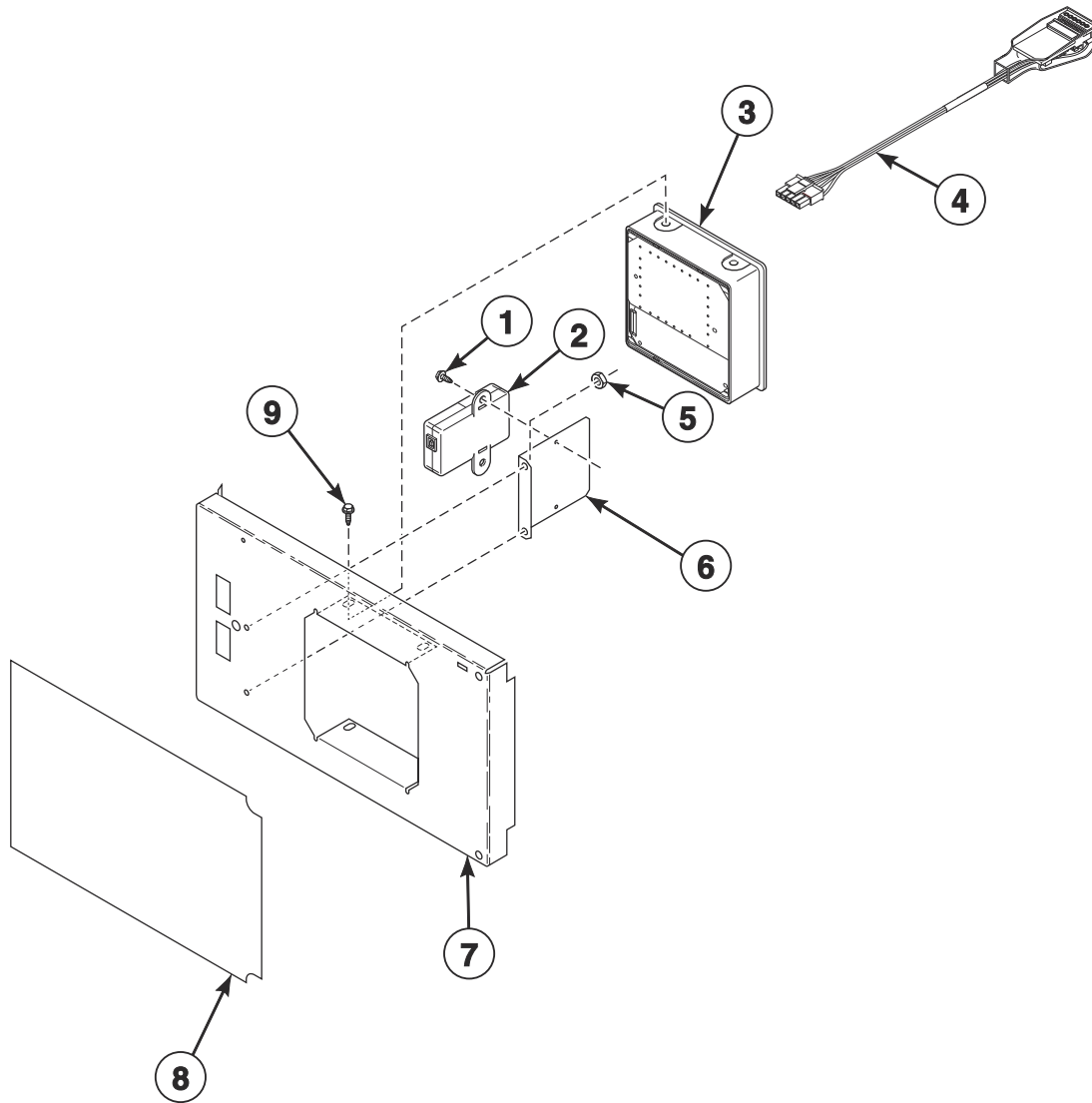
TMB3680P_70591401

Electronic Display Control - OPL Models with N in the 7th Position

| REF | PART NO. | DESCRIPTION | COMMENTS |
|-----|----------|-----------------------------|--|
| | 44334004 | Vend Activation Harness | |
| 1 | 70413301 | Pushbutton Switch | |
| 2 | 70497101 | Control Plate | Design 3 and 5 H models; Design 3 S models; All other models |
| 3 | 804608 | Screw | 4 required |
| 4 | 70523002 | Control Assembly | P models; Blue |
| | 70478802 | Control Assembly | H, S and U models; Green |
| | 70478902 | Control Assembly | B models; Red |
| 5 | 203361P | Machine ID Control Assembly | Model or serial number is required when ordering |
| 6 | 70570601 | Overlay | S models; Reversing; Design 3 |
| | 70570602 | Overlay | S models; Nonreversing; Design 3 |
| | 70638301 | Overlay | S models; Reversing; Design 5 |
| | 70638302 | Overlay | S models; Nonreversing; Design 5 |
| | 70571401 | Overlay | U models; Reversing; Design 3 |
| | 70571402 | Overlay | U models; Nonreversing; Design 3 |
| | 70638901 | Overlay | U models; Reversing; Design 5 |
| | 70638902 | Overlay | U models; Nonreversing; Design 5 |
| | 70570801 | Overlay | H models; Reversing; Design 3 |
| | 70570802 | Overlay | H models; Nonreversing; Design 3 |
| | 70636401 | Overlay | H models; Reversing; Design 5 |
| | 70636402 | Overlay | H models; Nonreversing; Design 5 |
| | 70548801 | Overlay | B models; Reversing |
| | 70548802 | Overlay | B models; Nonreversing |
| | 70571601 | Overlay | P models; Reversing |
| | 70571602 | Overlay | P models; Nonreversing |

3.5 Inch Graphical Control

U Models with D in the 7th Position



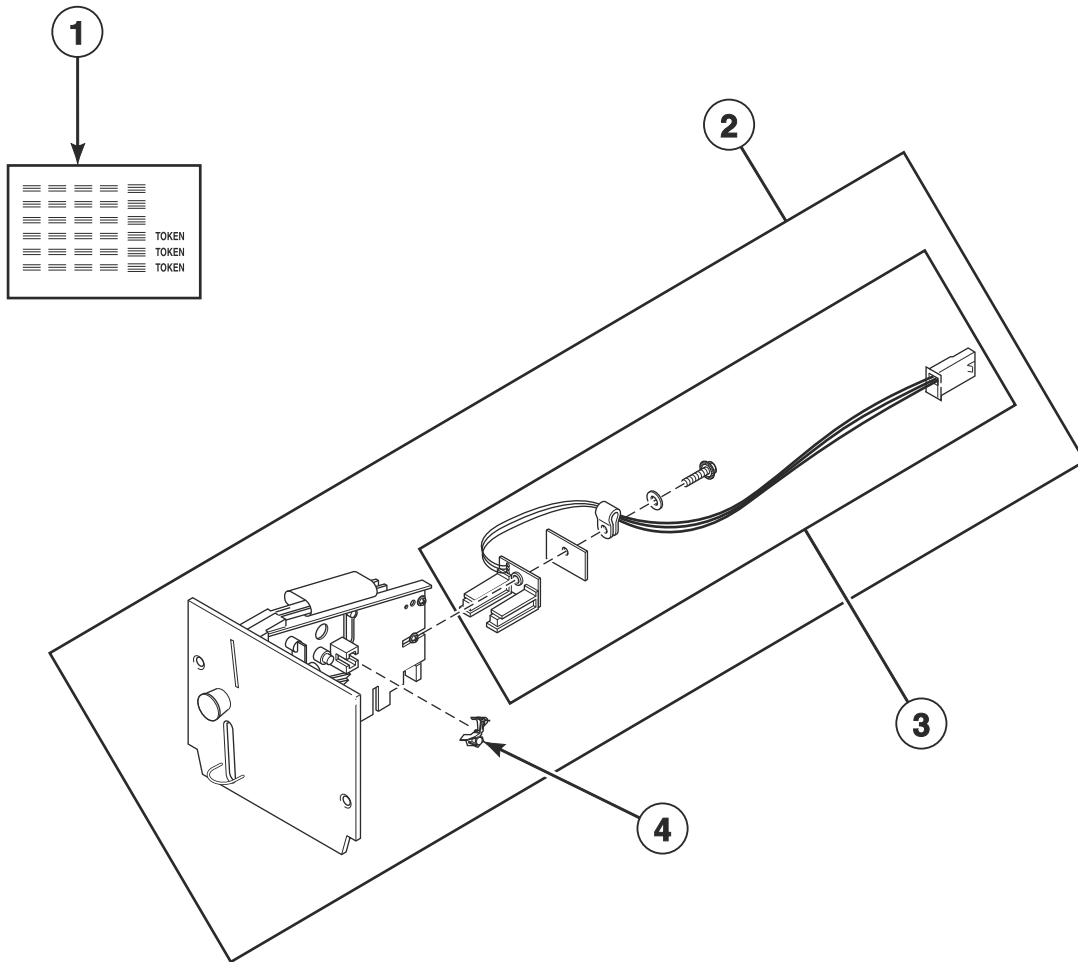
TMB3681P_70591401

3.5 Inch Graphical Control

| REF | PART NO. | DESCRIPTION | COMMENTS |
|-----|----------|---------------------------------|--|
| | F8617901 | Harness | USB |
| 1 | 33562 | Screw | 2 required |
| 2 | 203440 | USB-Serial Interface Assembly | |
| 3 | 70543104 | Control Assembly | |
| 4 | 203361P | Machine ID Control Assembly | Model or serial number is required when ordering |
| 5 | 44071201 | Nut | 2 required |
| 6 | 70547001 | USB Bracket | |
| 7 | 70570201 | Control Door and Studs Assembly | |
| 8 | 70595401 | Overlay | Design 3 models |
| | 70639001 | Overlay | Design 5 models |
| 9 | 804608 | Screw | 4 required |

Coin Drops

All Models Except U Models



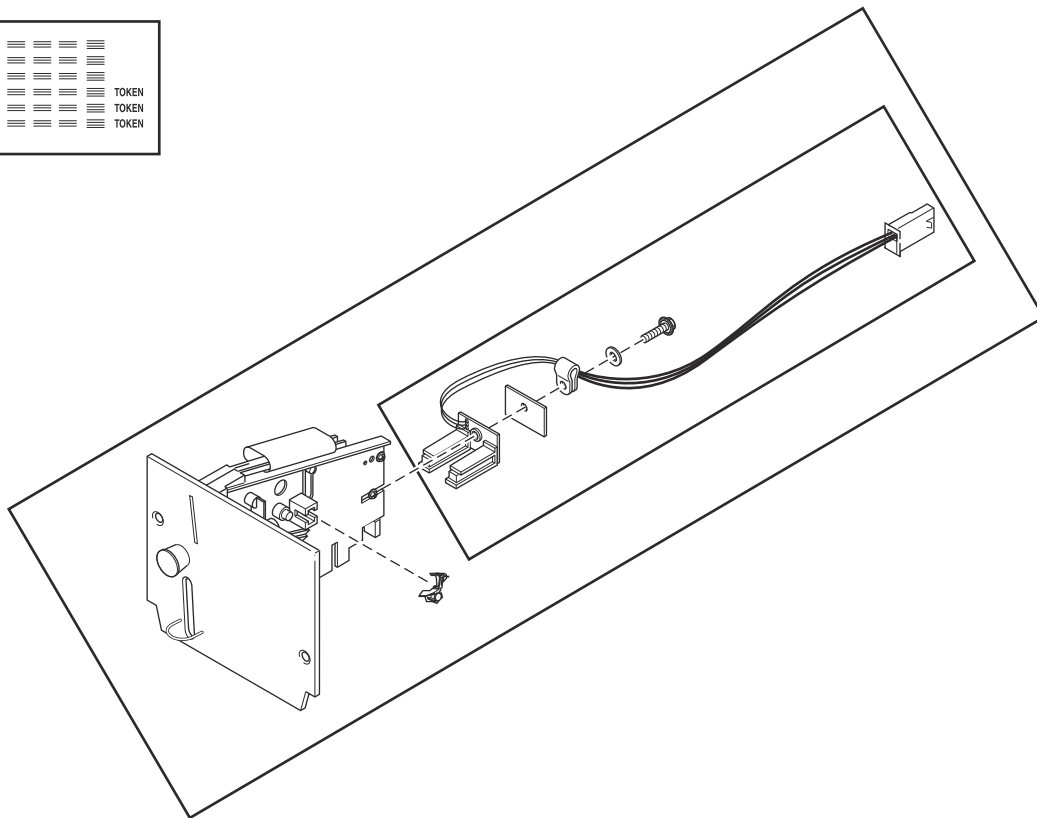
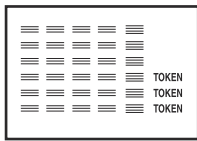
TMB3510P_70591401

Coin Drops

| REF | PART NO. | DESCRIPTION | COMMENTS |
|-----|-------------|-------------------------------|---|
| 1 | 38725 | Coin Identification Paper | |
| 2 | 70441601P | Coin Drop | Single; U.S.A.; \$.25 |
| | 38475 | Coin Drop Assembly | Single; Japan; 100 yen |
| | 38464P | Coin Drop Assembly | Single; Canada; .25 |
| | CK077 | Coin Drop Kit | Single; Taiwan; 10 NT |
| | 70506901 | Coin Drop Assembly | Single; Singapore; \$1.00 NEW |
| | 70441603 | Coin Drop | Dual; U.S.A.; \$.25 and \$1.00 |
| | 38519 | Coin Drop Assembly | Dual; Japan; 100 yen and 500 yen |
| | 70441602 | Coin Drop Assembly | Dual; Canada; .25 and 1.00 |
| | 38467 | Coin Drop Assembly | Dual; Australia; \$0.20 and \$1.00 |
| | 70447301 | Coin Drop Assembly | Dual; Australia; \$1.00 and \$2.00 |
| | 70283102 | Coin Drop Assembly | Dual; 0.20 and 0.50 Euro |
| | 210195 | Coin Drop Assembly | Dual; 0.20 and 1.00 Euro |
| | 210196 | Coin Drop Assembly | Dual; 0.50 and 1.00 Euro |
| | F0160737-00 | Coin Meter | Dual; 0.50 and 2.00 Euro |
| | 70281102 | Coin Drop Assembly | Dual; Taiwan; 10 and 50 NT |
| | 70482401 | Coin Drop Assembly | Dual; New Zealand ; \$1.00 and \$2.00 |
| | 38462P | Coin Drop Assembly | Single; Token; STD 118-1 |
| | 38463 | Coin Drop Assembly | Single; Token; STD 118-5 |
| | 38963P | Coin Drop | Single; Token STD 118-16 |
| | 39748 | Coin Drop | Single; Jeton 08MS |
| | 201141 | Coin Drop Assembly | Single; Token; Jeton wh121 |
| | 70471601 | Coin Drop Assembly | Single; Token; 7K |
| | 70513302 | Electronic Coin Drop Assembly | Euro and Great Britain coins |
| | 70513310 | Electronic Coin Drop Assembly | Japan and Thailand coins |
| | 70513304 | Electronic Coin Drop Assembly | Australia, New Zealand, Hong Kong and South Korea coins |
| | 70513303 | Electronic Coin Drop Assembly | Denmark, Norway and Euro coins |
| | 70513306 | Electronic Coin Drop Assembly | Mexico, Ecuador and U.S.A. coins |
| | 70294107 | Electronic Coin Drop Assembly | Lithuania, Latvia and Euro coins |
| | 70513311 | Electronic Coin Drop Assembly | China and Malaysia coins |
| | 70513308 | Electronic Coin Drop Assembly | South African 1, 2 and 5 rand coins |
| | 70513309 | Electronic Coin Drop Assembly | Euro coins |
| | 70513312 | Electronic Coin Drop Assembly | Russia coins |
| | 70513313 | Electronic Coin Drop Assembly | Phillipines coins |
| | 70513314 | Electronic Coin Drop Assembly | Thailand coins |
| | 70513315 | Electronic Coin Drop Assembly | Chile coins |
| | 70513316 | Electronic Coin Drop Assembly | Singapore coins |
| 3 | 200674P | Opto Coupler | |
| 4 | 201595P | Wire Guard | |

Coin Drop Kits

All Models Except U Models



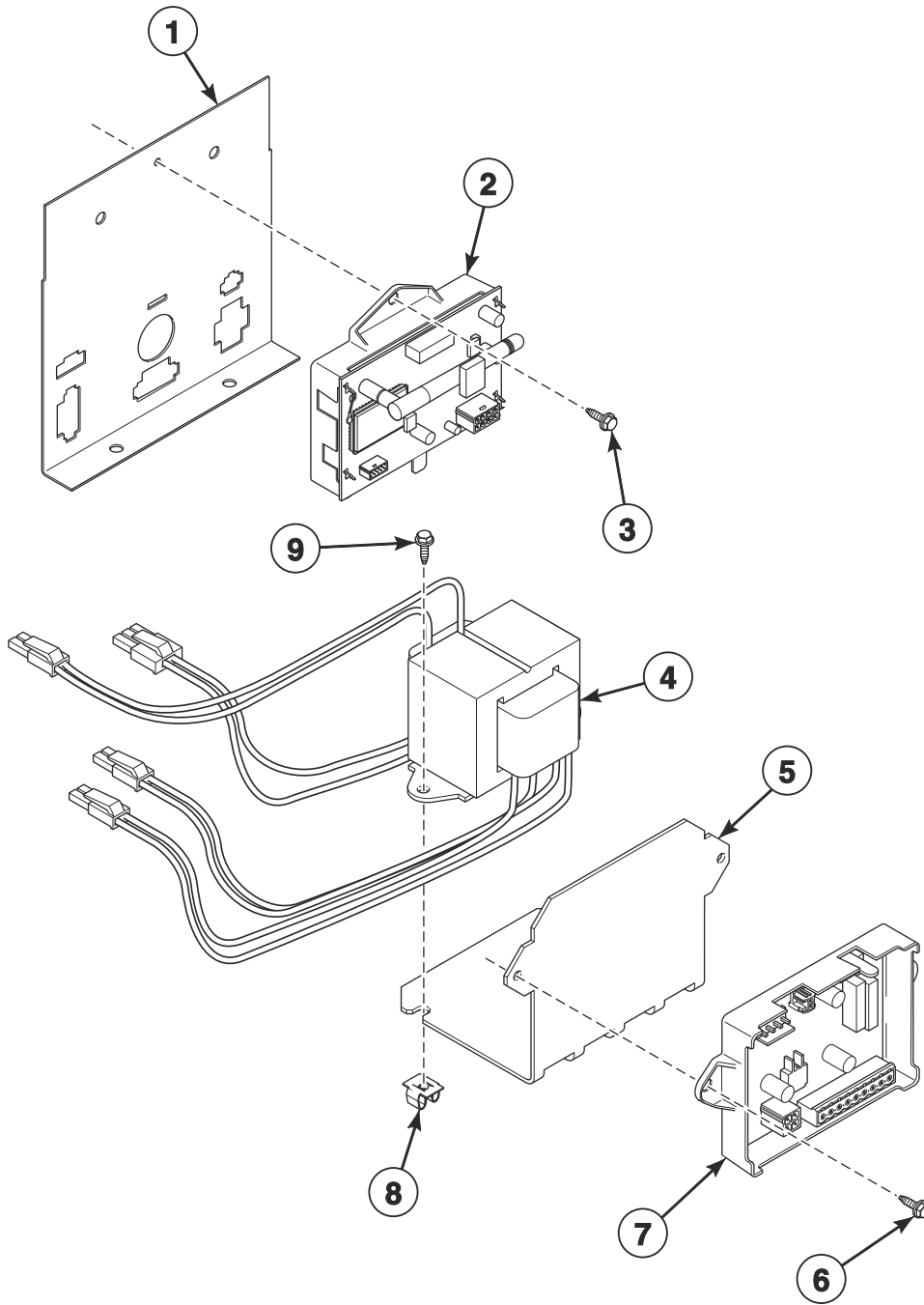
TMB3510PA_70591401

Coin Drop Kits

| REF | PART NO. | DESCRIPTION | COMMENTS |
|-----|----------|--------------------------|---|
| | CK115 | Electronic Coin Drop Kit | United States and Canada |
| | CK099 | Electronic Coin Drop Kit | Australia (default), New Zealand, Hong Kong, South Korea and Malaysia |
| | CK100 | Electronic Coin Drop Kit | United Kingdom (default) and Europe |
| | CK101 | Electronic Coin Drop Kit | Europe (default), Denmark and Norway |
| | CK108 | Electronic Coin Drop Kit | South Africa |
| | CK109 | Electronic Coin Drop Kit | Euro |
| | CK110 | Electronic Coin Drop Kit | Mexico (default), Ecuador and United States |
| | CK113 | Electronic Coin Drop Kit | Japan and Taiwan |
| | CK116 | Electronic Coin Drop Kit | Malaysia (default) and China |
| | CK117 | Electronic Coin Drop Kit | Russia |
| | CK118 | Electronic Coin Drop Kit | Philippine |
| | CK119 | Electronic Coin Drop Kit | Thailand |
| | CK120 | Electronic Coin Drop Kit | Chile |
| | CK121 | Electronic Coin Drop Kit | Singapore |
| | CK122 | Coin Drop Kit | New Zealand; 1.00 and 2.00 |

Network Board, Central Pay and Card Reader Components

Central Pay Starting December 2018

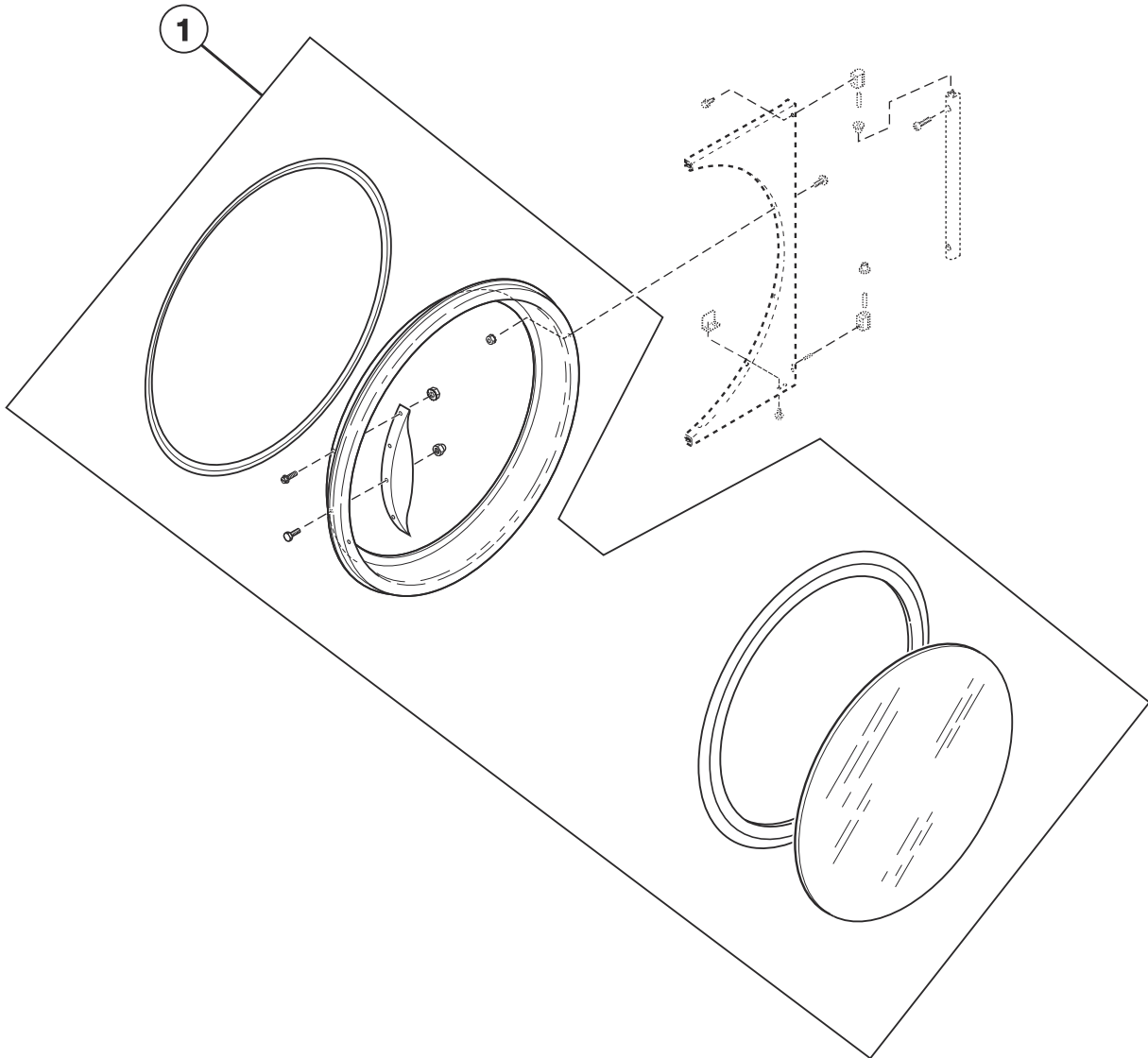


TMB3677P_70591401

Network Board, Central Pay and Card Reader Components

| REF | PART NO. | DESCRIPTION | COMMENTS |
|----------|----------|-----------------------------------|---|
| | 70596301 | Wireless Network Kit | H and U models through 1/31/19; S models through 5/12/19 |
| | 70609701 | Wireless Network Kit | H models starting 2/1/19; S models starting 5/13/19 |
| | F8536002 | Wireless Network Board Harness | H and U models through 1/31/19; S models through 5/12/19 |
| | F8613201 | FCC-IC Label | HT and U models through 1/31/19; ST models through 5/12/19 |
| | F8674006 | Wireless Network Harness | H models starting 2/1/19; S models starting 5/13/19 |
| | 204692 | Wireless Control Label | H models starting 2/1/19; S models starting 5/13/19 |
| | NK320 | Ethernet Gateway Kit | S models through 5/12/19 |
| | NK330 | USB Gateway Kit | S models through 5/12/19 |
| | 203346 | USB IR Interface Kit | |
| | 70666806 | Fob Reader Kit | |
| | 44355601 | Central Pay Harness | Routes from central pay board to control tray |
| | 44272301 | Transformer Harness | 100-120 Volt; Routes from transformer to I/O Control Assembly; Card and central pay |
| | 44272302 | Transformer Harness | 200-480 Volt; Routes from transformer to I/O Control Assembly; Card and central pay |
| | 44355604 | Central Pay Board Harness | Routes from central pay board to transformer |
| | 44355605 | Central Pay Harness | Routes from central pay board to front end control |
| 1 | 70307007 | Harness Mounting Plate | |
| 2 | 203532 | Wireless Network Control Assembly | H and U models through 1/31/19; S models through 5/12/19 |
| | 807211 | Wireless Network Control Assembly | H models starting 2/1/19; S models starting 5/13/19 |
| 3 | F8206901 | Screw | |
| 4 | 202757 | Transformer | 100-120 Volt; Card and central pay |
| | 202758 | Transformer | 200-480 Volt; Card and central pay |
| 5 | 70604001 | Mounting Bracket | |
| 6 | 51780 | Screw | 2 required |
| 7 | 70612701 | Central Pay Kit | 100-120 Volt |
| | 70612703 | Central Pay Kit | 200-480 Volt |
| 8 | 70030501 | Expansion Clip | 2 required |
| 9 | M411072 | Screw | |

Door Assemblies

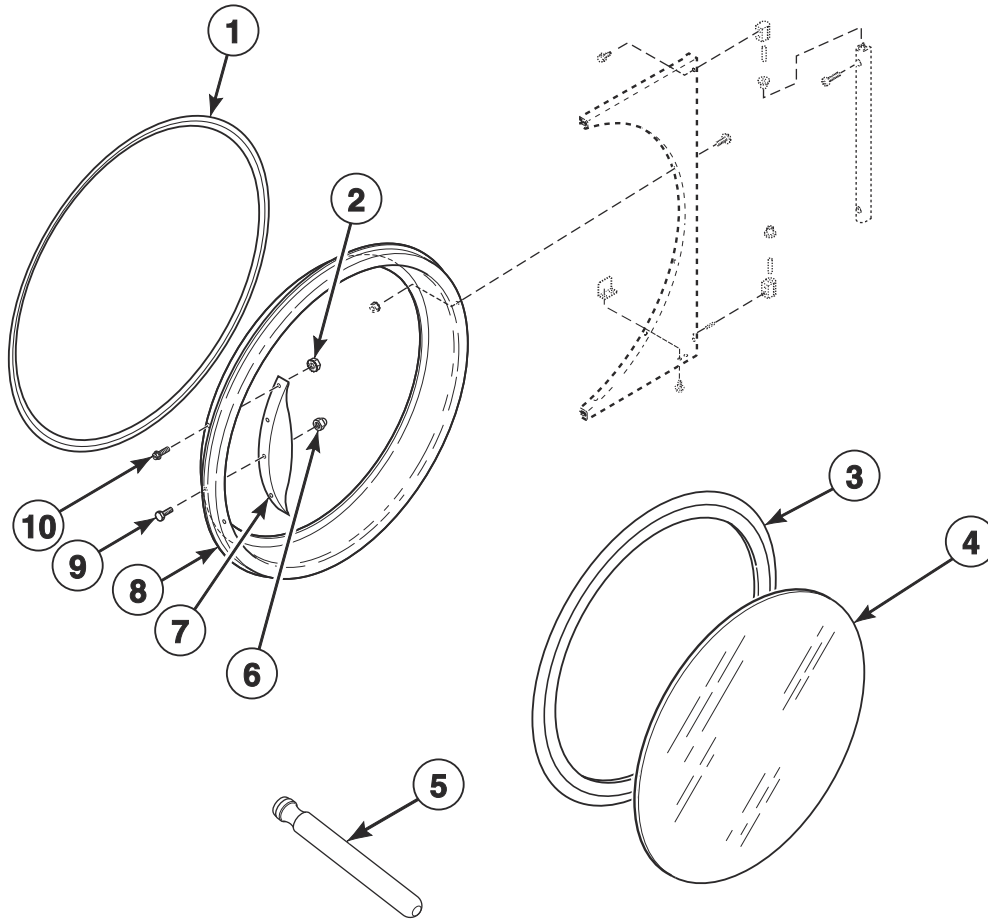


TMB3551P_70591401

Door Assemblies

| REF | PART NO. | DESCRIPTION | COMMENTS |
|-----|-------------|---------------|---|
| 1 | 70212300 | Door Assembly | S models; Stainless steel; Design 3 |
| | 70597701 | Door Assembly | S models; Stainless steel; Design 5 |
| | 70212302P | Door Assembly | S models; Chrome; Design 3 |
| | 70597702 | Door Assembly | S models; Chrome; Design 5 |
| | 70496501 | Door Assembly | U models; Stainless steel; Design 3 |
| | 70597703 | Door Assembly | U models; Stainless steel; Design 5 |
| | 70496502P | Door Assembly | U models; Chrome; Design 3 |
| | 70597704 | Door Assembly | U models; Chrome; Design 5 |
| | 44058005 | Door Assembly | H models; Stainless steel; Design 3 |
| | 70597705 | Door Assembly | H models; Stainless steel; Design 5 |
| | 44058007 | Door Assembly | H models; Stainless steel with green trim; Design 3 |
| | 70597707 | Door Assembly | H models; Stainless steel with green trim; Design 5 |
| | 44058006 | Door Assembly | H models; Chrome; Design 3 |
| | 70597706 | Door Assembly | H models; Chrome; Design 5 |
| | 44058008 | Door Assembly | H models; Chrome with green trim; Design 3 |
| | 70597708 | Door Assembly | H models; Chrome with green trim; Design 5 |
| | 70212301 | Door Assembly | B models; Black; Design 3 |
| | 44287801LGP | Door Assembly | P models; Light gray; Design 3 |
| | 70597709 | Door Assembly | B, J and P models; Black; Design 5 |
| | 44287801B | Door Assembly | P models; Use with stainless steel front panel |

Door Components

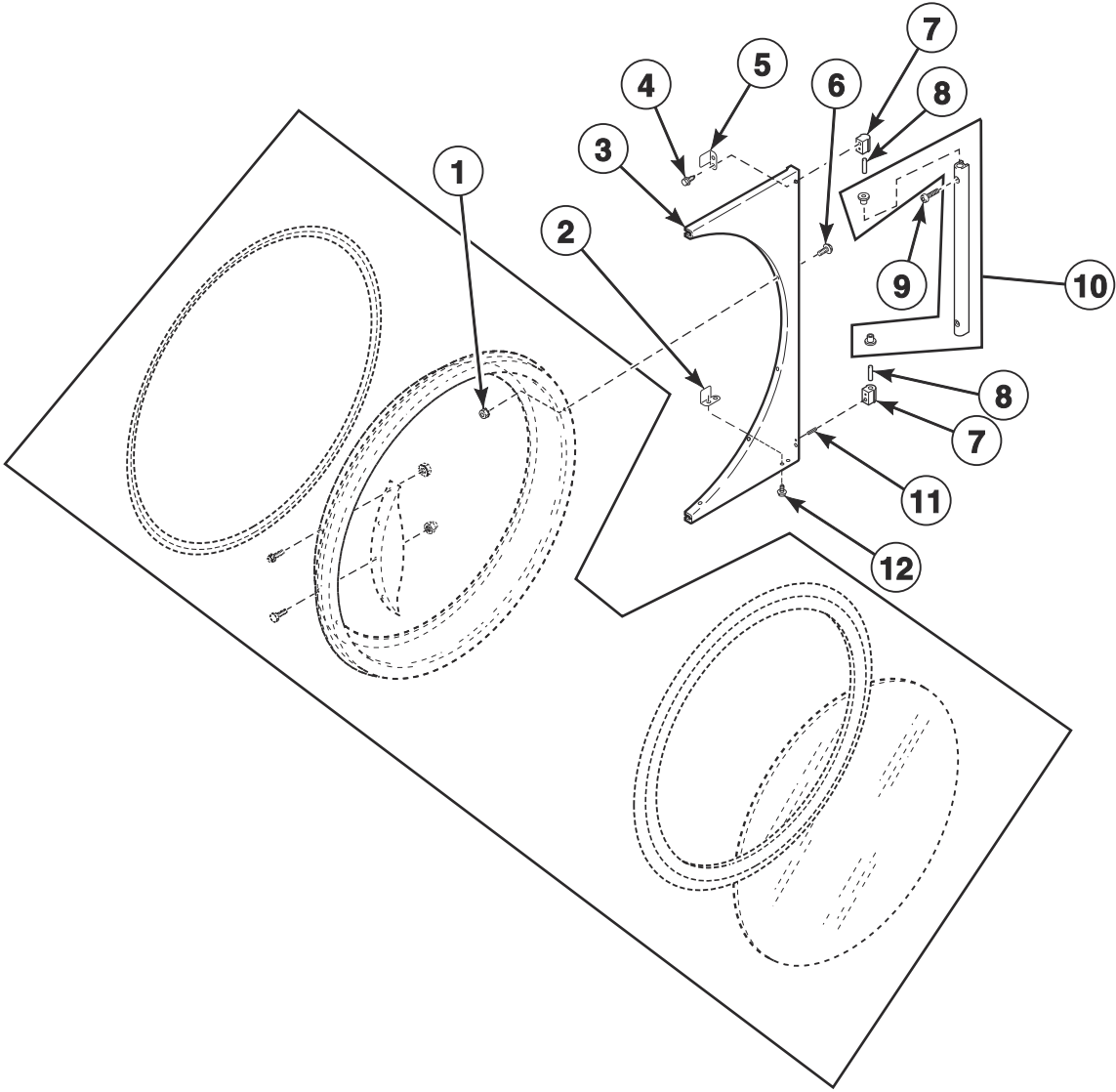


TMB3550P_70591401

Door Components

| REF | PART NO. | DESCRIPTION | COMMENTS |
|-----------|------------|-------------------------------|--|
| | 70650401 | Door Glass Label | H models; Design 5 |
| | 70707701 | Door Glass Label | S models |
| | 70707501 | Max Fill Line Label | |
| 1 | 70296801 | Door Ring Gasket | |
| 2 | 44088001 | Nut | B, H and S models; 4 required |
| 3 | 70211901P | Door Glass Seal Kit | Use Loctite 414 for seal |
| 4 | 70133601P | Door Glass | H models; Design 3 |
| | 70133602 | Door Glass | H models; Green trim; Design 3 |
| | 70133604 | Door Glass | H models; Green trim; Design 5 |
| | M400784P | Door Glass | All other models; Design 5 H models |
| 5 | M4221P4 | Door Glass Installation Tool | |
| 6 | M414215 | Nut | For door strike; Mounts between door strike screw and door handle |
| 7 | 44007902P | Door Handle | B, J and S models; Design 5 P models |
| | 44263801 | Door Handle | U models; Use 901620 Screw, 800465 Washer, 803871 Screw and 44088001 Nut to attach |
| | 70521101 | Door Handle | H models; Design 3 |
| | 44370602 | Door Handle | H models; Design 5 |
| 8 | 70543901 | Door Ring Assembly | H and S models; Stainless steel; Design 3 |
| | 70543905 | Door Ring Assembly | H and S models; Chrome; Design 3 |
| | 70543902 | Door Ring Assembly | U models; Design 3 |
| | 70543906 | Door Ring Assembly | U models; Chrome; Design 3 |
| | 70543904B | Door Ring Assembly | B models; Design 3 |
| | 70543907LG | Door Ring and Handle Assembly | P models; Includes handle; Design 3 |
| | 70543907B | Door Ring and Handle Assembly | P models; Includes handle; Use with stainless steel and white front panel |
| | 70597507B | Door Ring Assembly | B, J and P models; Design 5 |
| 9 | M400661 | Screw | Door Strike |
| 10 | 70442101 | Screw | B, H, J, P and S models; 4 required |

Hinge Components - Design 3 Models



TMB3459P_70591401

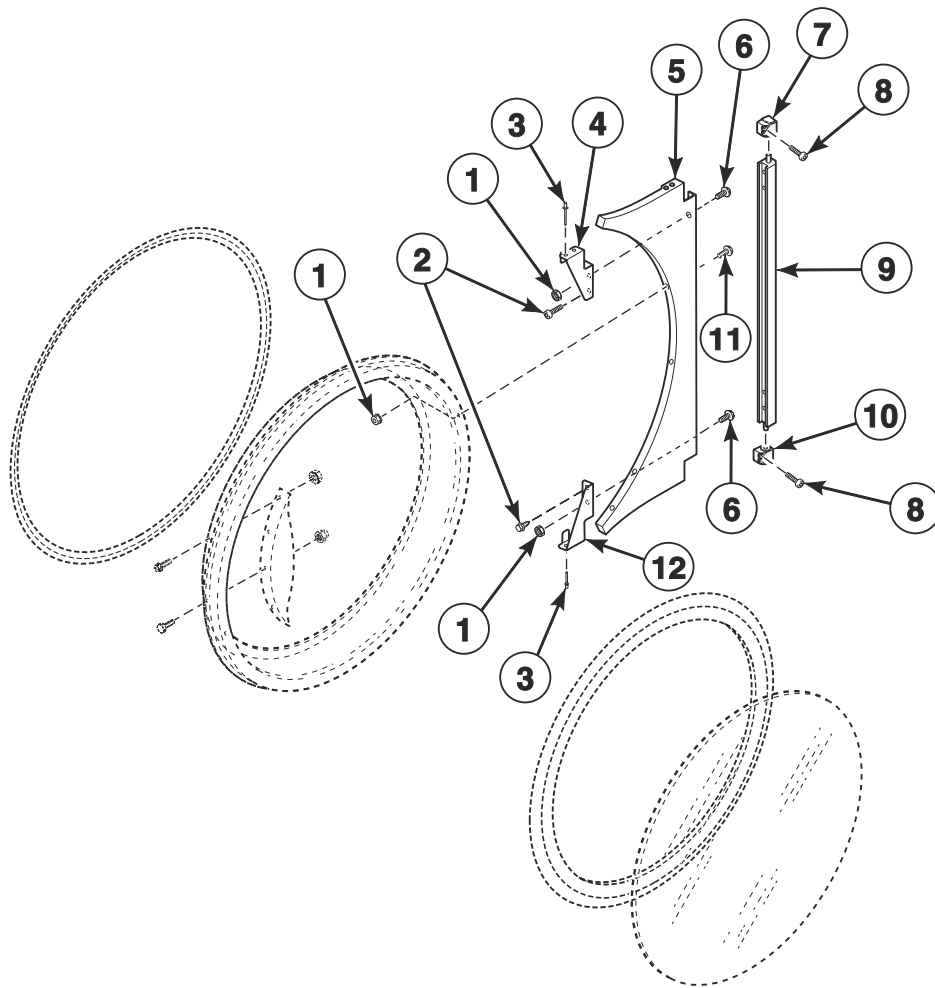
Hinge Components - Design 3 Models

| REF | PART NO. | DESCRIPTION | COMMENTS |
|-----|------------|-------------------------|--|
| 1 | 44088001 | Nut | |
| 2 | 70532101 | Door Switch Actuator | Bottom |
| 3 | 70115901* | Door Hinge | H, S and U through 3/31/21 |
| | 70115901W | Door Hinge | H, S and U starting 4/1/21 |
| | 70115904 | Door Hinge | H, S and U models; Stainless steel |
| | 70115903LG | Door Hinge | Light gray; P and U models |
| | 70115903B | Door Hinge | Black; B models; P models with white and stainless steel front panel |
| 4 | 70576101 | Screw | |
| 5 | 70532102 | Door Switch Actuator | Top |
| 6 | M400044 | Screw | |
| 7 | M4772P3 | Hinge Cam Kit | H, P, S and U models |
| | M4773P3 | Hinge Cam Kit | Black; B models; P models with white and stainless steel front panel |
| 8 | 70071401 | Pin | |
| 9 | 70033502 | Screw | H, P, S and U models |
| | 70407301 | Screw | Black; B models; P models with white and stainless steel front panel |
| 10 | 44035001 | Door Hinge Lug Assembly | H, P, S and U models |
| | 44035002 | Door Hinge Lug Assembly | Black; B models; P models with white and stainless steel front panel |
| 11 | 70436301 | Screw | |
| 12 | 70058501 | Pop Rivet | |

* Add Letter To Designate Color. Q - Bisque W - White

Hinge Components - Design 5 Models

B, H, J, P, S and U Models

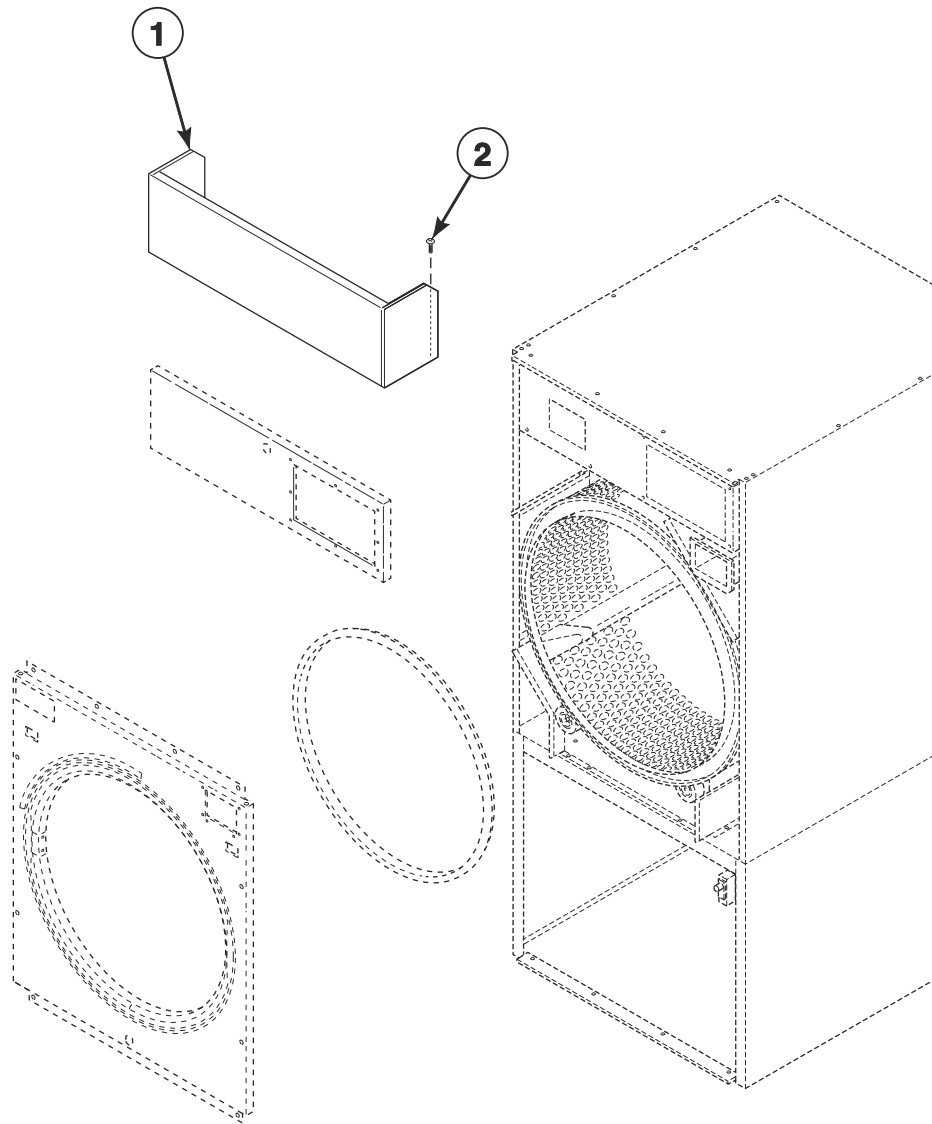


TMB3805P_70591401

Hinge Components - Design 5 Models

| REF | PART NO. | DESCRIPTION | COMMENTS |
|-----|------------|---------------------------|--|
| 1 | 44088001 | Nut | |
| 2 | 802822 | Screw | |
| 3 | 70058501 | Pop Rivet | |
| 4 | 70632001 | Upper Hinge Gusset | |
| 5 | 70632706W | Door Hinge | White; H, S and U models through 3/31/21 |
| | 70632702W | Door Hinge | White; H, S and U models starting 4/1/21 |
| | 70632704 | Door Hinge | Stainless steel; H, S and U models |
| | 70632708 | Door Hinge | Chrome; H, S and U models through 3/31/21 |
| | 70632712 | Door Hinge | Mirror polish; H, S and U models starting 4/1/21 |
| | 70632702LG | Door Hinge | Light gray; U models |
| | 70632710B | Door Hinge | Black; B, J and P models |
| 6 | 70640201 | Screw | |
| 7 | 70639301 | Upper Lug Assembly | Use with 2 of item 8; H, S and U models |
| | 70639303 | Upper Lug Assembly | Use with 2 of item 8; B, J and P models |
| 8 | 70640301 | Screw | H, S and U models |
| | F8458801 | Screw | B, J and P models |
| 9 | 70640402 | Center Hinge Lug Assembly | |
| 10 | 70639302 | Lower Lug Assembly | Use with 2 of item 8; H, S and U models |
| | 70639304 | Lower Lug Assembly | Use with 2 of item 8; B, J and P models |
| 11 | 44349101 | Screw | |
| 12 | 70632002 | Lower Hinge Gusset | |

False Fronts



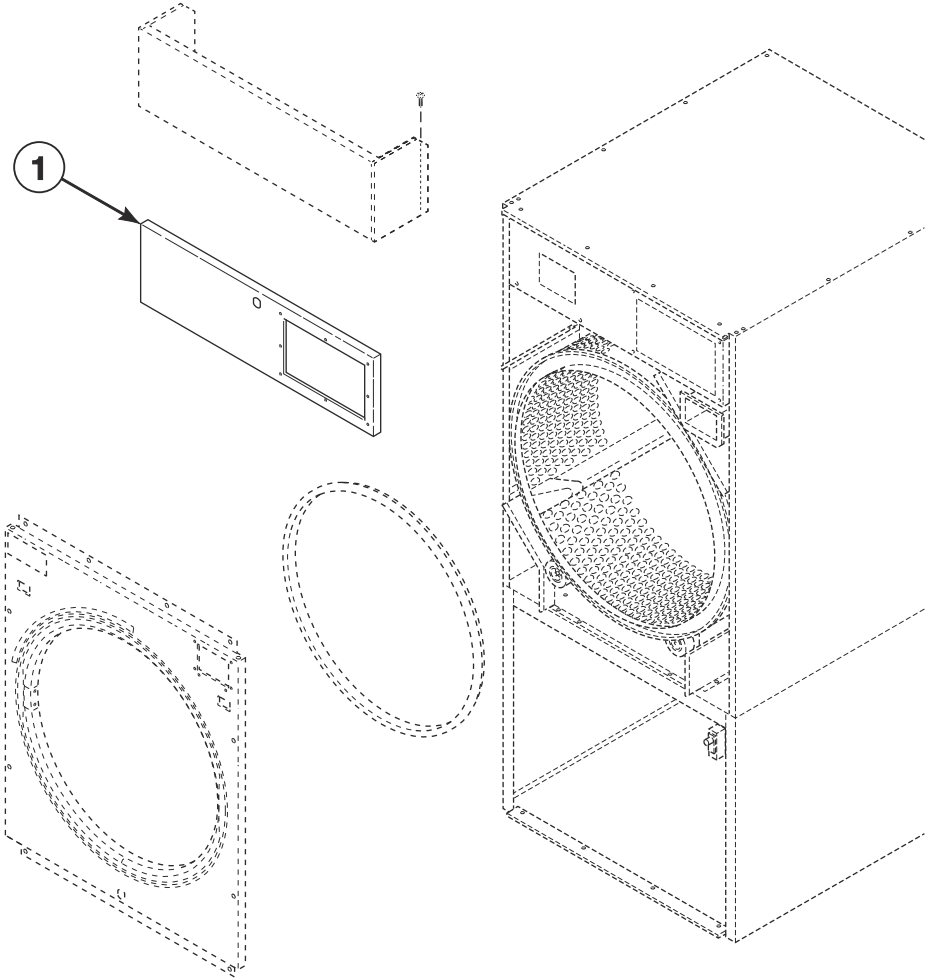
TMB3511P_70591401

False Fronts

| REF | PART NO. | DESCRIPTION | COMMENTS |
|-----|------------|----------------------|---|
| 1 | 70021103DG | False Front | Dark gray; P models; 72 inches |
| | 70021103LG | False Front | Light gray; U models; 72 inches |
| | 70021101*P | False Front | All other models except P models; 72 inches |
| | 70021104 | False Front | 72 inches; Stainless steel |
| | 70024003DG | False Front | Dark gray; P models; 76 inches |
| | 70024003LG | False Front | Light gray; U models; 76 inches |
| | 70024001*P | False Front Assembly | All other models except P models; 76 inches |
| | 70024004 | False Front | 76 inches; Stainless steel |
| 2 | M405188 | Screw | 4 required |

* Add Letter To Designate Color. Q - Bisque W - White

Control Panels



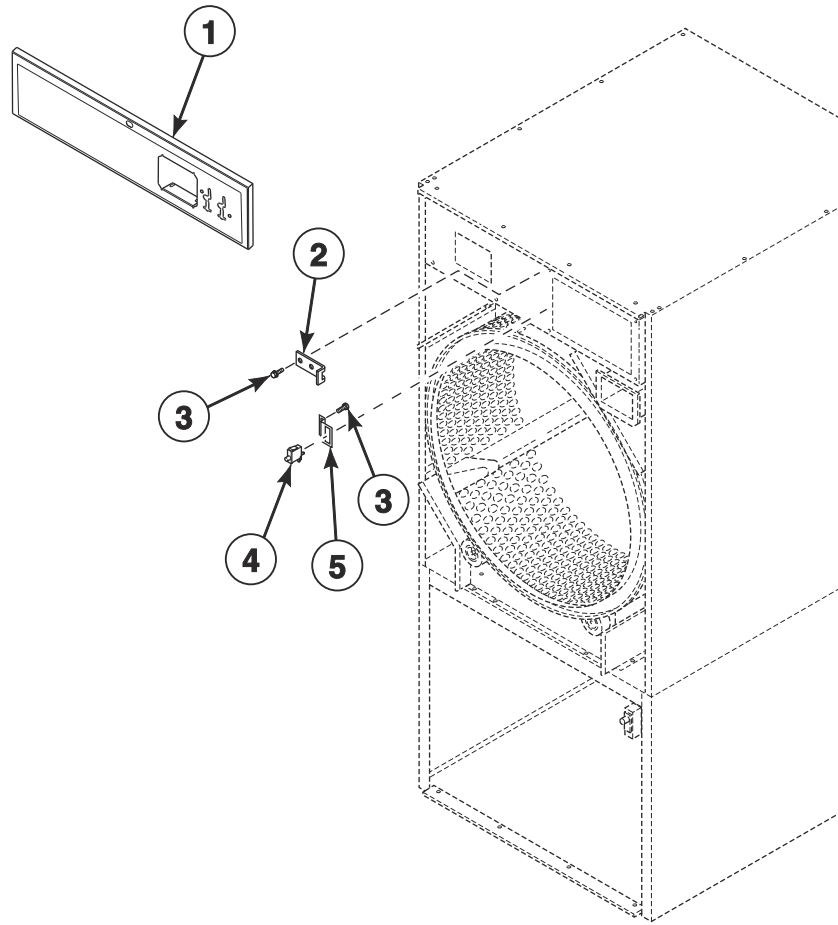
TMB3511PA_70591401

Control Panels

| REF | PART NO. | DESCRIPTION | COMMENTS |
|----------|------------|--------------------|---|
| | 431318 | Control Door Latch | Use with Design 5 H, J and U models |
| | M400003 | Pop Rivet | Use with Design 5 H, J and U models |
| 1 | 70273408B | Control Panel | B models |
| | 70273405* | Control Panel | U models; Only white available for Design 5; Models through 3/31/21 |
| | 70273416W | Control Panel | U models starting 4/1/21 |
| | 70273414 | Control Panel | U models; Stainless steel |
| | 70121301* | Control Panel | Design 3 S models through 3/31/21 |
| | 70121307W | Control Panel | Design 3 S models starting 4/1/21 |
| | 70121308 | Control Panel | Design 3 S models; Stainless steel |
| | 70273416LG | Control Panel | U models; Light gray |
| | 70121314DG | Control Panel | P models; Dark gray |
| | 70121305* | Control Panel | H models; Only white available for Design 5; Models through 3/31/21 |
| | 70121314W | Control Panel | H models starting 4/1/21 |
| | 70121309 | Control Panel | H and P models; Stainless steel |
| | 70273315W | Control Panel | Design 5 J models |

* Add Letter To Designate Color. Q - Bisque W - White

Control Panels - Design 5 S Models

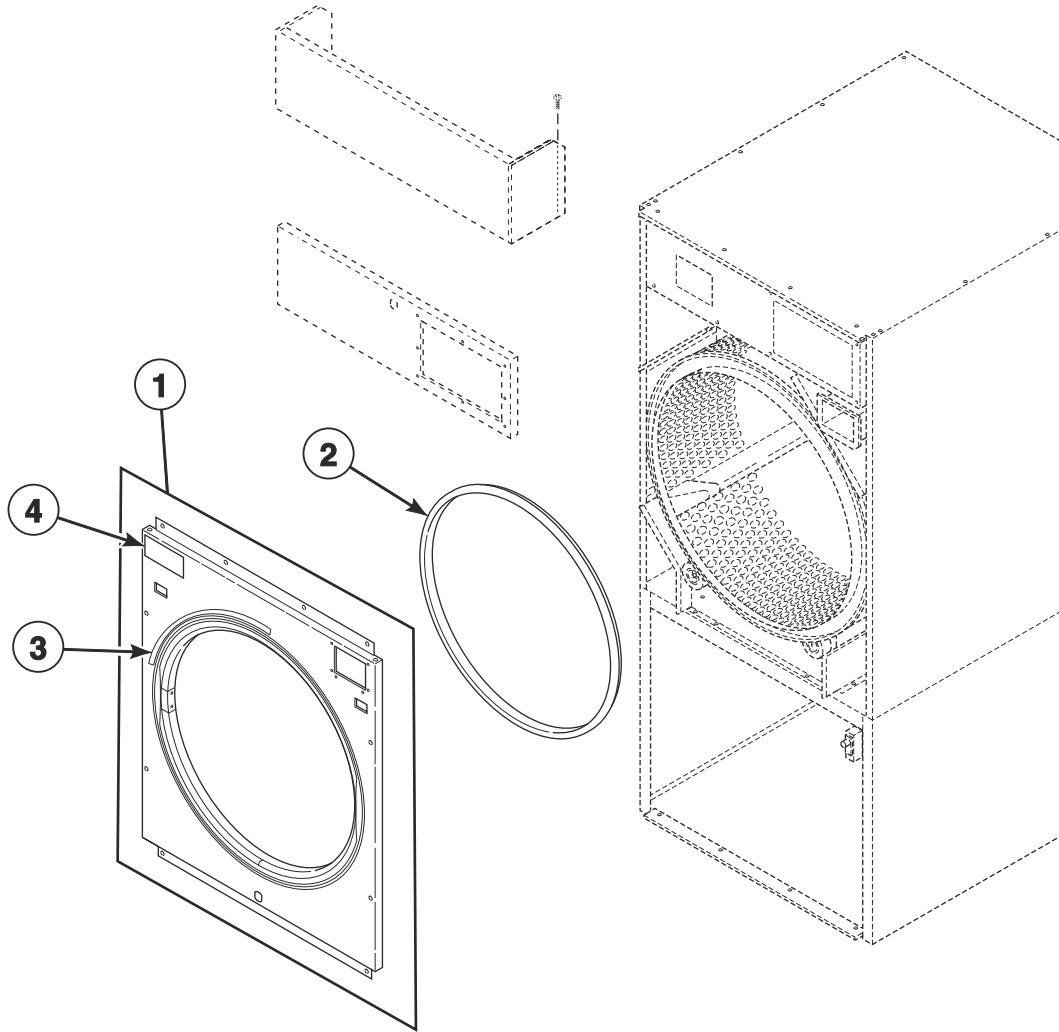


TMB3804P_70591401

Control Panels - Design 5 S Models

| REF | PART NO. | DESCRIPTION | COMMENTS |
|-----|-----------|------------------------------|---|
| 1 | 70640001 | Control Assembly | Stainless steel; Coin; Models through 3/31/21 |
| | 70640002 | Control Assembly | Stainless steel; Card; Models through 3/31/21 |
| | 70634803 | Control Assembly | Stainless steel; OPL; Models through 3/31/21 |
| | 70640003W | Control Assembly | Coin; Models through 3/31/21 |
| | 70640004W | Control Assembly | Card; Models through 3/31/21 |
| | 70634806W | Control Assembly | OPL; Models through 3/31/21 |
| | 70684501 | Control Assembly | Stainless steel; Coin; Models starting 4/1/21 |
| | 70684502 | Control Assembly | Stainless steel; Card; Models starting 4/1/21 |
| | 70684403 | Control Assembly | Stainless steel; OPL; Models starting 4/1/21 |
| | 70684503W | Control Assembly | Coin; Models starting 4/1/21 |
| | 70684504W | Control Assembly | Card; Models starting 4/1/21 |
| | 70684406W | Control Assembly | OPL; Models starting 4/1/21 |
| 2 | 70654501 | Lock Catch Bracket | Models through 3/31/21 |
| 3 | 430497 | Screw | |
| 4 | 70413301 | Pushbutton Switch | |
| 5 | 70641601 | Control Panel Switch Bracket | |

Front Panel Assemblies - Design 3 Models



TMB3511PB_70591401

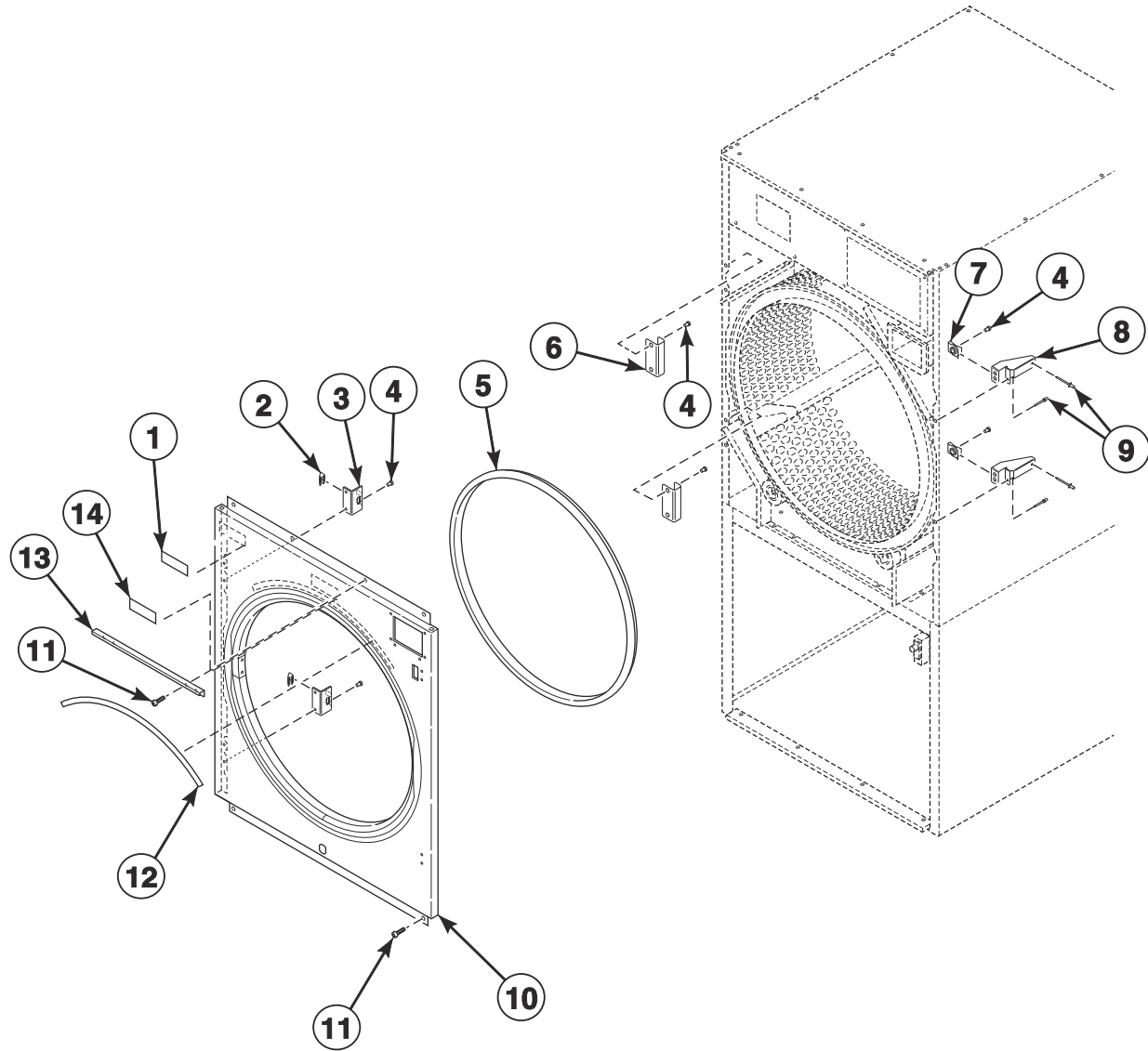
Front Panel Assemblies - Design 3 Models

| REF | PART NO. | DESCRIPTION | COMMENTS |
|-----|------------|----------------------|--|
| 1 | 70622901* | Front Panel | All models except P and U models; Coin; Models through 3/31/21 |
| 1 | 70622902W | Front Panel Assembly | All models except P and U models; Coin; Models starting 4/1/21 |
| | 70623401DG | Front Panel Assembly | P models; Coin; Dark gray |
| | 70622501 | Front Panel Assembly | All models except P and U models; Coin; Stainless steel |
| | 70623001* | Front Panel | All models except P and U models; Card and central pay; Models through 3/31/21 |
| | 70623002W | Front Panel Assembly | All models except P and U models; Card and central pay; Models starting 4/1/21 |
| | 70623501DG | Front Panel Assembly | P models; Card and central pay; Dark gray |
| | 70622601 | Front Panel Assembly | All models except P and U models; Card and central pay; Stainless steel |
| | 70623601* | Front Panel | OPL; With e-stop; Models through 3/31/21 |
| | 70623602W | Front Panel Assembly | OPL; With e-stop; Models starting 4/1/21 |
| | 70623701DG | Front Panel Assembly | P models; OPL; Dark gray; With e-stop |
| | 70623701LG | Front Panel | U models; OPL; Light gray; With e-stop |
| | 70622701 | Front Panel | Model SU035P; OPL; Stainless steel; With e-stop |
| | 70524221 | Front Panel | All models except SU035P; OPL; Stainless steel; With e-stop |
| | 70524205* | Front Panel | OPL; Without e-stop; Models through 3/31/21 |
| | 70524213W | Front Panel | OPL; Without e-stop; Models starting 4/1/21 |
| | 70524213DG | Front Panel | P models; OPL; Dark gray; Without e-stop |
| | 70524213LG | Front Panel | U models; OPL; Light gray; Without e-stop |
| | 70622701 | Front Panel | All models except SU035P; OPL; Stainless steel; Without e-stop |
| 2 | 70173401P | Front Panel Seal | |
| 3 | 70534301 | Warning Label | English |
| | 70534302 | Warning Label | French |
| | 70534300 | Label Kit | Warning; IEC models |
| 4 | 70537001 | Label | B, H, S and U models; C.A.R.E. |
| | 44190901 | Label | P models; Safe Tech |

* Add Letter To Designate Color. Q - Bisque W - White

Front Panel Assemblies - Design 5 Models

B, H, J, P, S and U Models

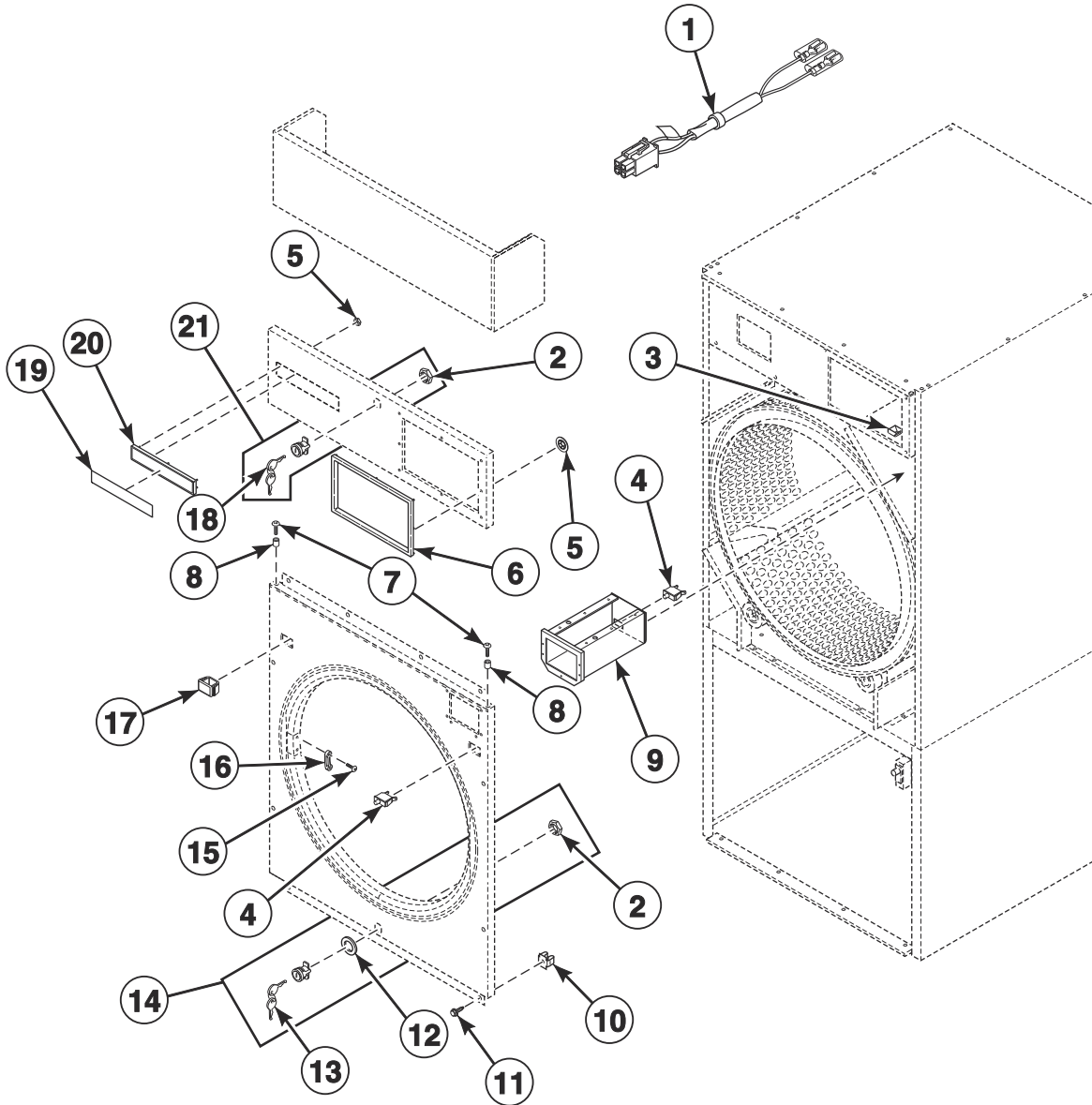


TMB3806P_70591401

Front Panel Assemblies - Design 5 Models

| REF | PART NO. | DESCRIPTION | COMMENTS |
|-----|------------|-----------------------------|--|
| | 70289101P | Gasket | Sold per foot; Used behind item 10 |
| 1 | 70537001 | Label | C.A.R.E.; B, H, P and S models |
| 2 | 35865 | Hold-Down Clip | 2 required |
| 3 | 70604801 | Clip Mount Bracket | 2 required |
| 4 | 70058501 | Pop Rivet | |
| 5 | 70173401P | Front Panel Seal | |
| 6 | 70604901 | Clip Keeper Bracket | 2 required |
| 7 | 70030401 | Nut | 2 required |
| 8 | 70634201 | Bracket | |
| 9 | 70614201 | Rivet | |
| 10 | 70705211 | Front Panel Assembly | Stainless steel; Coin; B, H, P and S models |
| | 70705212 | Front Panel Assembly | Stainless steel; Card, central pay and OPL; Without e-stop; B, H, P and S models |
| | 70705214 | Front Panel Assembly | Stainless steel; OPL; With e-stop; B and P models |
| | 70705213LG | Front Panel Assembly | Light gray; U models; OPL |
| | 70705211W | Front Panel Assembly | Coin; B, H, J, P and S models |
| | 70705212W | Front Panel Assembly | Card and central pay; B, H, P and S models |
| | 70705213W | Front Panel Assembly | OPL; Without e-stop; B, H, P, S and U models |
| | 70705214W | Front Panel Assembly | OPL; With e-stop; B, H, P, S and U models |
| 11 | M411072 | Screw | |
| 12 | 70534301 | Warning Label | English |
| | 70534302 | Warning Label | French |
| 13 | 70641501 | Control Panel Stand Bracket | S models |
| 14 | 70472801 | Label | U models |

Cabinet Front Components



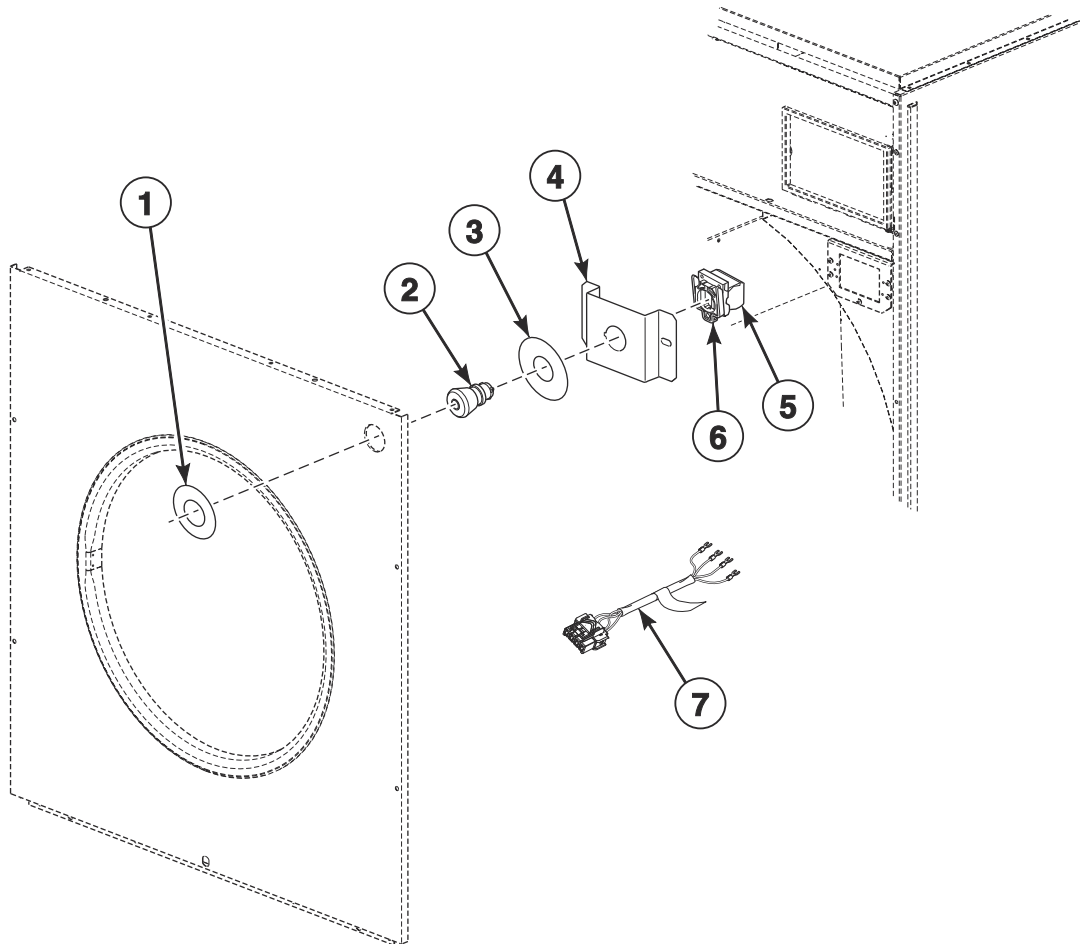
TMB3592P_70591401

Cabinet Front Components

| REF | PART NO. | DESCRIPTION | COMMENTS |
|-----------|------------|--|---|
| | 44334103 | Bypass Harness | Card and central pay |
| | D511476 | Jumper Harness | Card reader present |
| | 70482901 | Door Catch Kit | |
| 1 | 44334101 | Coin Vault Switch Harness | |
| 2 | 44088801 | Nut | |
| 3 | 70296401 | Coin Chute Assembly | |
| 4 | 70413301 | Pushbutton Switch | |
| 5 | M400977 | Nut | S models; 6 required; Design 3 |
| 6 | 70529401 | Control Trim | H models; Gray |
| | 44016401 | Control Trim | P models; Design 3 S models; Black |
| 7 | 39733 | Screw | |
| 8 | 56079 | Panel Locator | 9 required |
| 9 | 70529501 | Coin Vault Assembly | |
| | 70529502 | Coin Vault and Emergency Stop Mount Assembly | Models with emergency stop |
| | F160673P | Coin Box | Optional equipment; Includes lock and key |
| 10 | 70030501 | Expansion Clip | 8 required |
| 11 | M411072 | Screw | 8 required |
| 12 | 70342401 | Lock Shim | |
| 13 | 70155602 | Key | RL002 |
| 14 | 44089302P | Lock, Key and Nut Kit | RL002 |
| | 44089305 | Panel Lock | RL002; Chrome |
| 15 | 44166601 | Pop Rivet | |
| 16 | M401223 | Door Latch | |
| 17 | 44057801W | Switch Hole Plug | White; Design 3 models |
| | 44057801Q | Switch Hole Plug | Bisque; Design 3 models |
| | 44057801LG | Switch Hole Plug | Gray; U models; Design 3 |
| | 44057801B | Switch Hole Plug | Black; Design 3 models |
| 18 | 70155601 | Key | RL001 |
| 19 | 70115601 | Nameplate Overlay | S models; Design 3 |
| | F8688801 | Nameplate | S models; Design 5 |
| | F8688001 | Nameplate | H models; Design 5 |
| | F8443105 | Nameplate | U models |
| | B12389801 | Nameplate | B models |
| | 567887 | Nameplate | P models |
| | 70685701 | Nameplate | J models |
| 20 | 70117401 | Nameplate Bezel | S models; Design 3 |
| 21 | 44089301P | Lock, Key and Nut Kit | RL001; Black |
| | 44089304 | Panel Lock | RL001; Chrome |

Emergency Stop Button - OPL Models

A, H, J, K, L, R and U in the 2nd Position
G and T in the 2nd Position Through 12/31/18

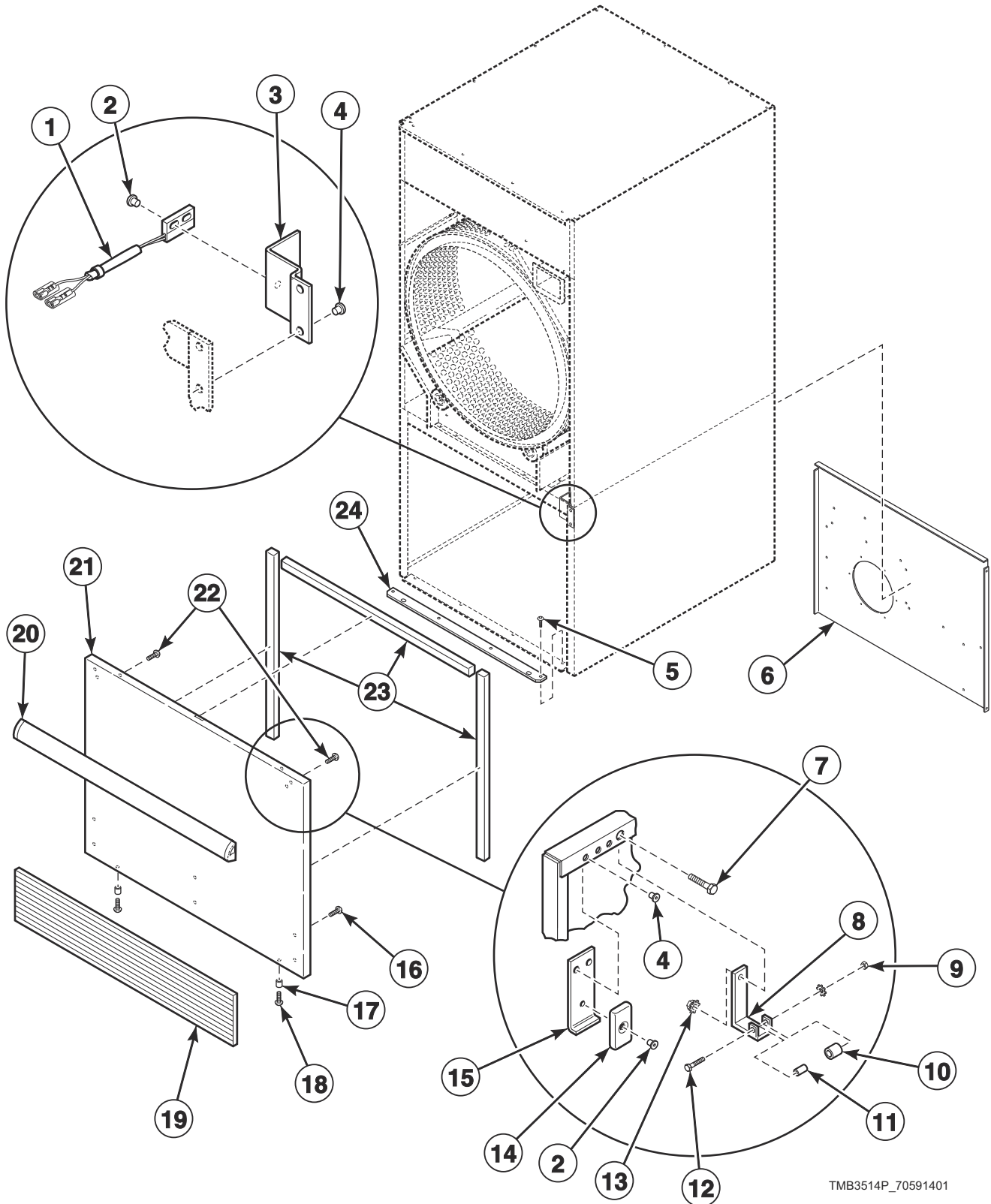


TMB3513P_70591401

Emergency Stop Button - OPL Models

| REF | PART NO. | DESCRIPTION | COMMENTS |
|-----|------------|---------------------------------|----------------------------|
| | 70580301 | Emergency Stop Button Kit | Includes items 2-4 |
| | F8519403 | Emergency Stop Bypass Harness | Coin, card and central pay |
| 1 | 44012903 | Emergency Stop Label | |
| 2 | F200233500 | Emergency Stop Pushbutton | |
| 3 | 44012901 | Emergency Stop Label | |
| 4 | 70550401 | Emergency Stop Mounting Bracket | |
| 5 | F8069501 | Contact Switch | 2 required |
| 6 | F8538101 | Contact Base | |
| 7 | 44272401 | Emergency Stop Harness | |

Lower Cabinet Components



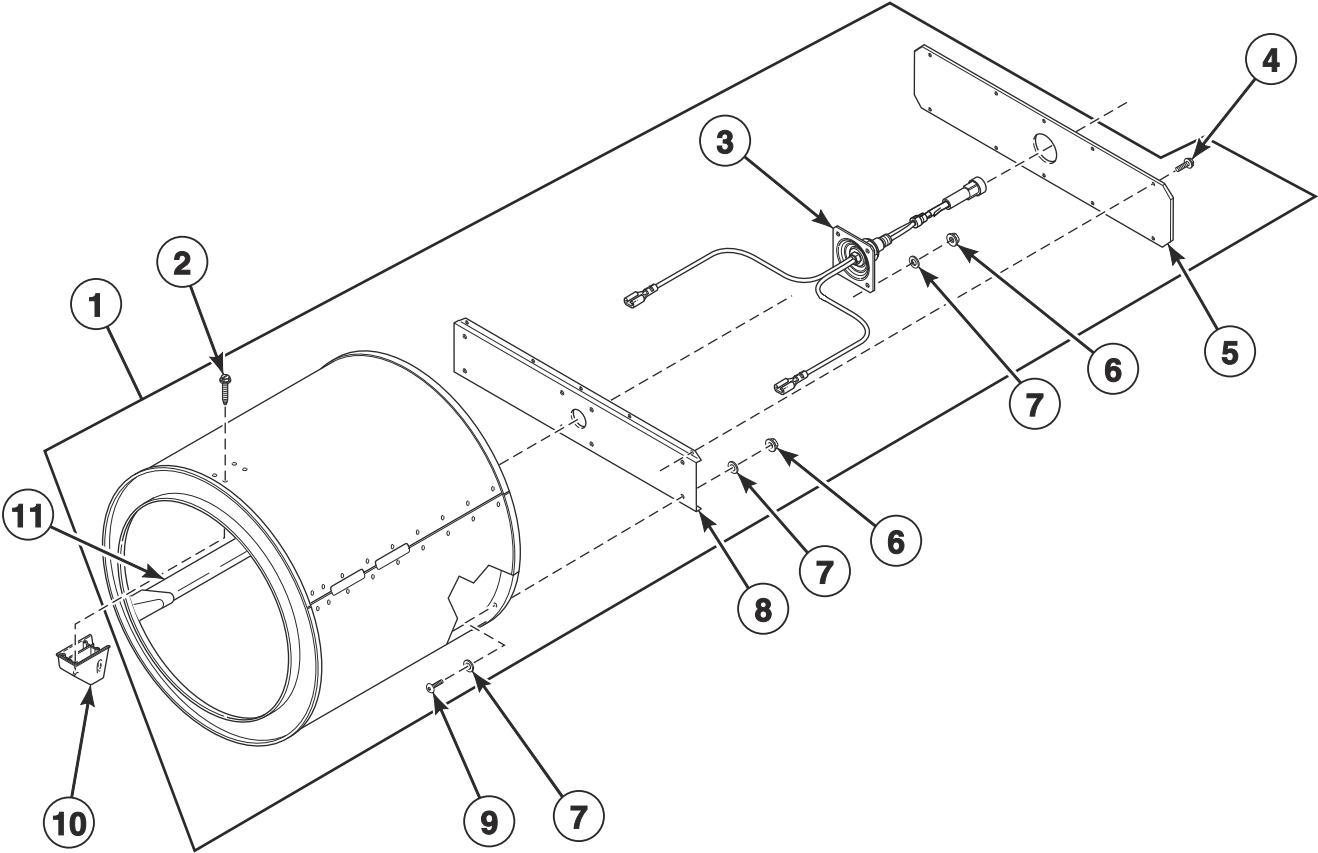
TMB3514P_70591401

Lower Cabinet Components

| REF | PART NO. | DESCRIPTION | COMMENTS |
|-----|------------|--------------------------|--|
| 1 | F8066804 | Reed Switch Assembly | |
| 2 | F8245101 | Blind Rivet | |
| 3 | 70508501 | Switch Bracket | |
| 4 | 70058501 | Pop Rivet | |
| 5 | 430497 | Screw | |
| 6 | 70564401 | Rear Lint Panel | |
| 7 | 70132301 | Screw | Attaching roller catch |
| 8 | 70030301 | Roller Catch Arm | |
| 9 | 23951 | Nut | |
| 10 | 70297601 | Roller Catch Wheel | |
| 11 | 70030201 | Roller Catch Spacer | |
| 12 | 70072801 | Screw | |
| 13 | 51236 | Nut | Attaching roller catch |
| 14 | 70343101 | Magnet | |
| 15 | 44290501 | Magnet Bracket | |
| 16 | 70126301 | Pop Rivet | For attaching kickplate; Black; 6 required |
| | 70126401 | Pop Rivet | For attaching kickplate; Gray; 6 required |
| 17 | 56079 | Panel Locator | |
| 18 | 39733 | Screw | |
| 19 | 70117617 | Kickplate | H and U models; Dark gray; Design 3 |
| | 70117603 | Kickplate | All models except H models; Black; Design 3 |
| 20 | 70154403 | Handle and Caps Assembly | B, J, S and U models; P models with white and stainless steel front panel; Black |
| | 70407208 | Handle Bumper | P models; Silver |
| | 70154414 | Handle and Caps Assembly | H and U models; Dark gray |
| 21 | 70515501* | Lint Panel | All models except J and P models; Design 3; Models through 3/31/21 |
| | 70515503W | Lint Panel | All models except P models; Design 3; Models starting 4/1/21 |
| | 70515503LG | Lint Panel | Design 3 U models; Light gray |
| | 70515504DG | Lint Panel | P models; Dark gray |
| | 70515502 | Lint Panel | All models except B, J and P models; Design 3; Stainless steel |
| | 70515505 | Lint Panel | B and P models; Design 5 H, S and U models; Stainless steel; No kickplate |
| | 70515504LG | Lint Panel | Design 5 U models; Light gray; No kickplate |
| | 70515506W | Lint Panel | Design 5 H, J, S and U models; No kickplate; Models through 3/31/21 |
| | 70515504W | Lint Panel | Design 5 H, J, S and U models; No kickplate; Models starting 4/1/21 |
| 22 | 430757 | Screw | For attaching handle; 6 required |
| 23 | 70289101P | Gasket | Sold per foot |
| 24 | 70016701 | Lint Panel Pivot Plate | |

* Add Letter To Designate Color. Q - Bisque W - White

Cylinder and Trunnion Assembly

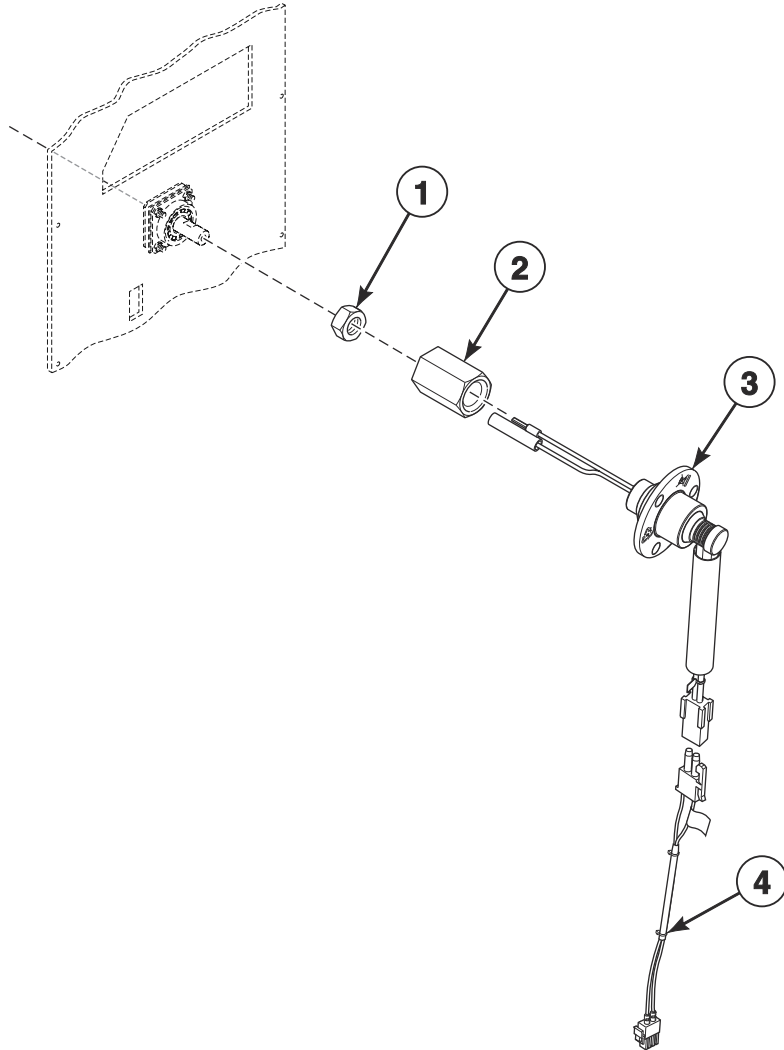


TMB3358P_70591401

Cylinder and Trunnion Assembly

| REF | PART NO. | DESCRIPTION | COMMENTS |
|-----------|-----------|--------------------------------|--|
| | 70343101P | Drywall Screw Magnet Kit | |
| 1 | 70372601P | Cylinder Assembly | Galvanized; Non-moisture sensing |
| | 70435201 | Cylinder and Trunnion Assembly | Galvanized; Moisture sensing |
| | 70372602P | Cylinder Assembly | Stainless steel; Non-moisture sensing |
| | 70435202 | Cylinder and Trunnion Assembly | Stainless steel; Moisture sensing |
| 2 | 62588 | Screw | 12 required |
| 3 | 70564803 | Trunnion and Seal Kit | Includes 70013702 Rear Cylinder Seal; Non-moisture sensing |
| | 70564804 | Trunnion and Seal Kit | Moisture sensing; Includes 70454601 Trunnion and Wire Assembly |
| 4 | 430497 | Screw | 10 required |
| 5 | 70257201 | Rear Cylinder Channel Plate | |
| 6 | 44087201 | Nut | 8 required |
| 7 | 70411301 | Washer | |
| 8 | 70257101 | Rear Cylinder Channel | Non-moisture sensing |
| | 70257102 | Rear Cylinder Channel | Moisture sensing |
| 9 | 70391101 | Screw | 8 required |
| 10 | 70070101 | End Cap | Non-moisture sensing |
| | 70070102 | End Cap | Moisture sensing |
| 11 | 70433001 | Cylinder Rib Assembly | Moisture sensing |

Moisture Sensing Components



TMB3147P_70591401

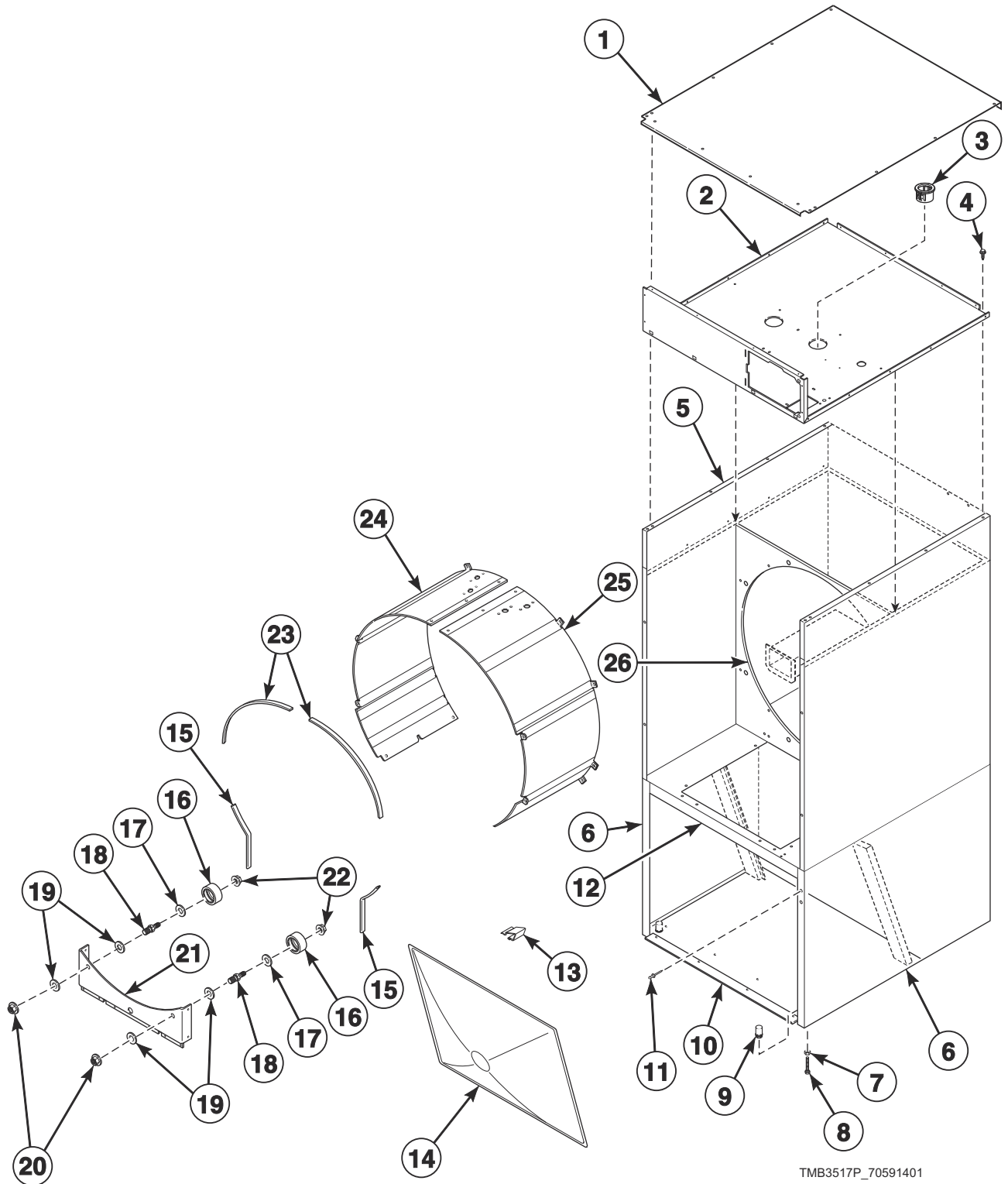
Moisture Sensing Components

| REF | PART NO. | DESCRIPTION | COMMENTS |
|-----|----------|-------------------------|----------|
| 1 | M400022 | Nut | |
| 2 | 70455401 | Slip Ring Holder | |
| 3 | 44222702 | Slip Ring Assembly | |
| 4 | 44333903 | Moisture Sensor Harness | |

Cylinder Components

| REF | PART NO. | DESCRIPTION | COMMENTS |
|-----------|-----------|--------------------------------------|-------------------------------------|
| | 70343101P | Drywall Screw Magnet Kit | |
| | 430260P | Support Housing Bearing Assembly | Includes items 3, 4 and Loctite |
| 1 | 70564701 | Rear Panel | Gas models |
| | 70564703 | Rear Panel | Gas models; With fire suppression |
| | 70564702 | Rear Panel | Electric and steam models |
| | 70564704 | Rear Panel | Steam models; With fire suppression |
| 2 | 70355001 | Rear Bearing Shim | |
| 3 | 70448701 | Support Bearing | |
| 4 | 70013901 | Rear Cylinder Bearing Housing | |
| 5 | M400991 | Washer | |
| 6 | M400034 | Nut | |
| 7 | M400022 | Nut | |
| 8 | M412986 | Nut | 4 required |
| 9 | 70506402 | Rear Cylinder Seal Support | |
| 10 | 70013701P | Rear Cylinder Seal | Use with D511637P Adhesive |
| 11 | 430352 | Cylinder Bearing Stud Plate Assembly | |
| 12 | 263P4 | Cylinder Guide Tool | |
| 13 | 70066003 | Center Cylinder Seal | |

Cabinet Components



TMB3517P_70591401

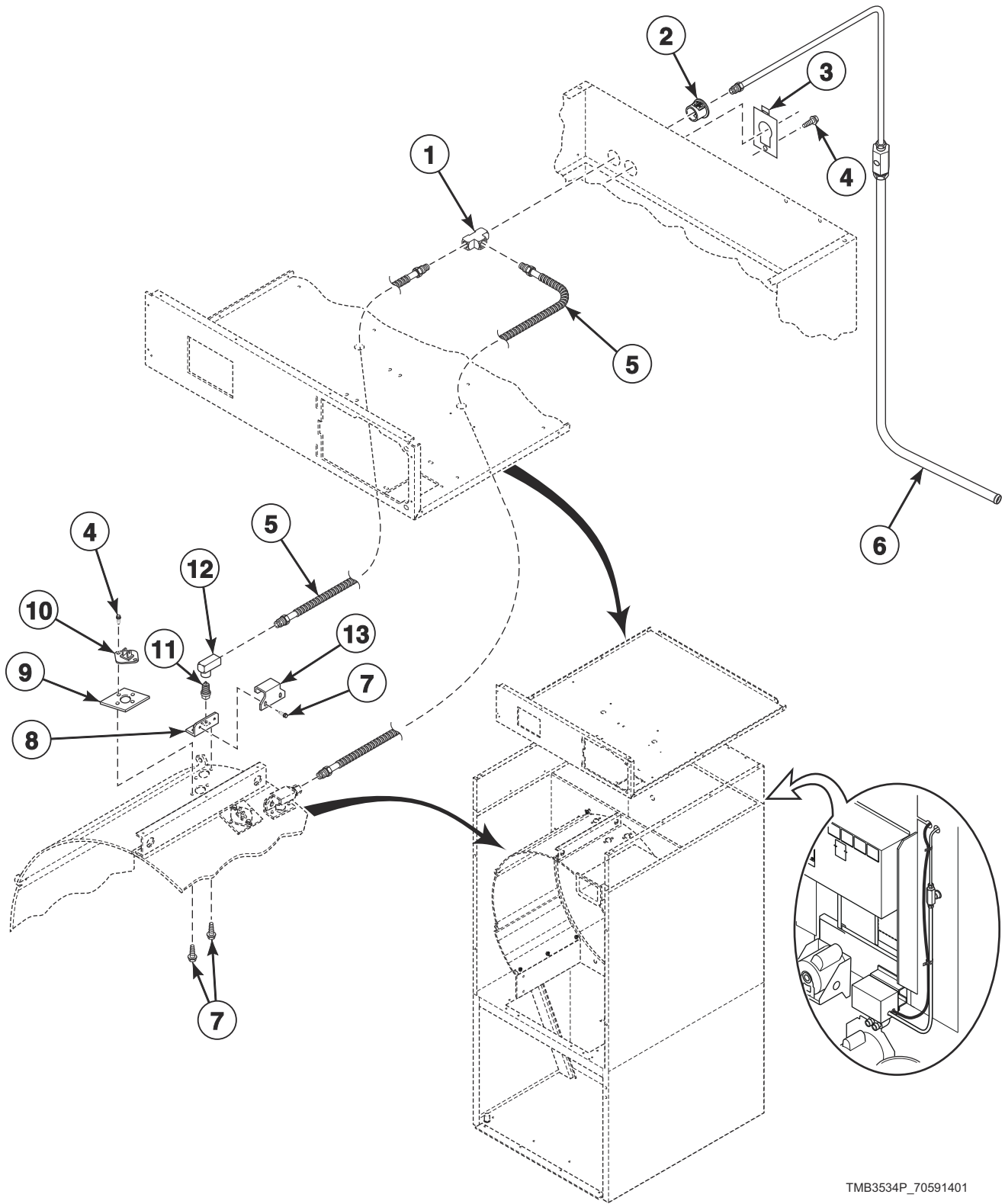
Cabinet Components

| REF | PART NO. | DESCRIPTION | COMMENTS |
|-----|------------|--------------------------|--|
| | M4379P4 | Tumbler Dolly Kit | |
| | 298P4P | Spray Paint | White |
| | 381P4 | Spray Paint | Bisque |
| | 122P4P | Porcelain Touch-Up Paint | White |
| | 370P4P | Porcelain Touch-Up Paint | Bisque |
| 1 | 70557701 | Flat Top | Design 3 models; Design 5 B, H, J, P and U models; Design 5 S models starting 4/1/21 |
| | 70586501 | Top Panel | Design 5 S models through 3/31/21 |
| 2 | 70641301 | Top Pan | |
| 3 | 70346501 | Bushing | |
| 4 | 430497 | Screw | |
| 5 | 70021504DG | Side Panel | Dark gray; Design 3 P models; Upper |
| | 70021502LG | Side Panel | Light gray; Design 3 U models; Upper |
| | 70021502*P | Side Panel | All models except J and P models; Design 3; Upper; Models through 3/31/21 |
| | 70021504W | Side Panel | All models except P models; Design 3; Upper; Models starting 4/1/21 |
| | 70640901LG | Side Panel | Light gray; Design 5 U models; Upper |
| | 70640902W | Side Panel | Design 5 H, J, S and U models; Upper |
| | 70640901DG | Side Panel | Dark gray; Design 5 P models; Upper; Models through 3/31/21 |
| | 70640902DG | Side Panel | Dark gray; Design 5 P models; Upper; Models starting 4/1/21 |
| 6 | 70253801DG | Side Panel | Dark gray; P models; Lower; Models through 3/31/21 |
| | 70253802DG | Side Panel | Dark gray; P models; Lower; Models starting 4/1/21 |
| | 70253801LG | Side Panel | Light gray; U models; Lower |
| | 70253801*P | Side Panel | All models except J and P models; Lower; Models through 3/31/21 |
| | 70253802W | Side Panel | All models except P models; Lower; Models starting 4/1/21 |
| 7 | 21899 | Nut | |
| 8 | 70247701 | Screw | |
| 9 | 70063201 | Hole Plug | |
| 10 | 70326601 | Lower Pan | |
| 11 | 70058501 | Pop Rivet | 16 required; Upper side panel |
| 12 | 70564501 | Center Pan | |
| 13 | 35865 | Hold-Down Clip | |
| 14 | 70325601 | Lint Screen | |
| 15 | 70015711 | Sheet Metal Edge Gasket | Lower |
| 16 | 70616701 | Roller and Seal Kit | |
| 17 | 70443601 | Roller Seal | |
| 18 | 70249501 | Roller Shaft | |
| 19 | 70261401 | Washer | |
| 20 | M404993 | Nut | |
| 21 | 70328301 | Roller Support Bracket | |
| 22 | 430576 | Nut | |
| 23 | 70015710 | Sheet Metal Edge Gasket | Upper |
| 24 | 70432306 | Cylinder Shroud | Left; With fire suppression |
| | 70347002 | Cylinder Shroud | Left |
| 25 | 70432305 | Cylinder Shroud | Right; With fire suppression |
| | 70347001 | Cylinder Shroud | Right |
| 26 | 70252601 | Center Partition | |

* Add Letter To Designate Color. Q - Bisque W - White

Fire Suppression System Components

Gas and Steam Models



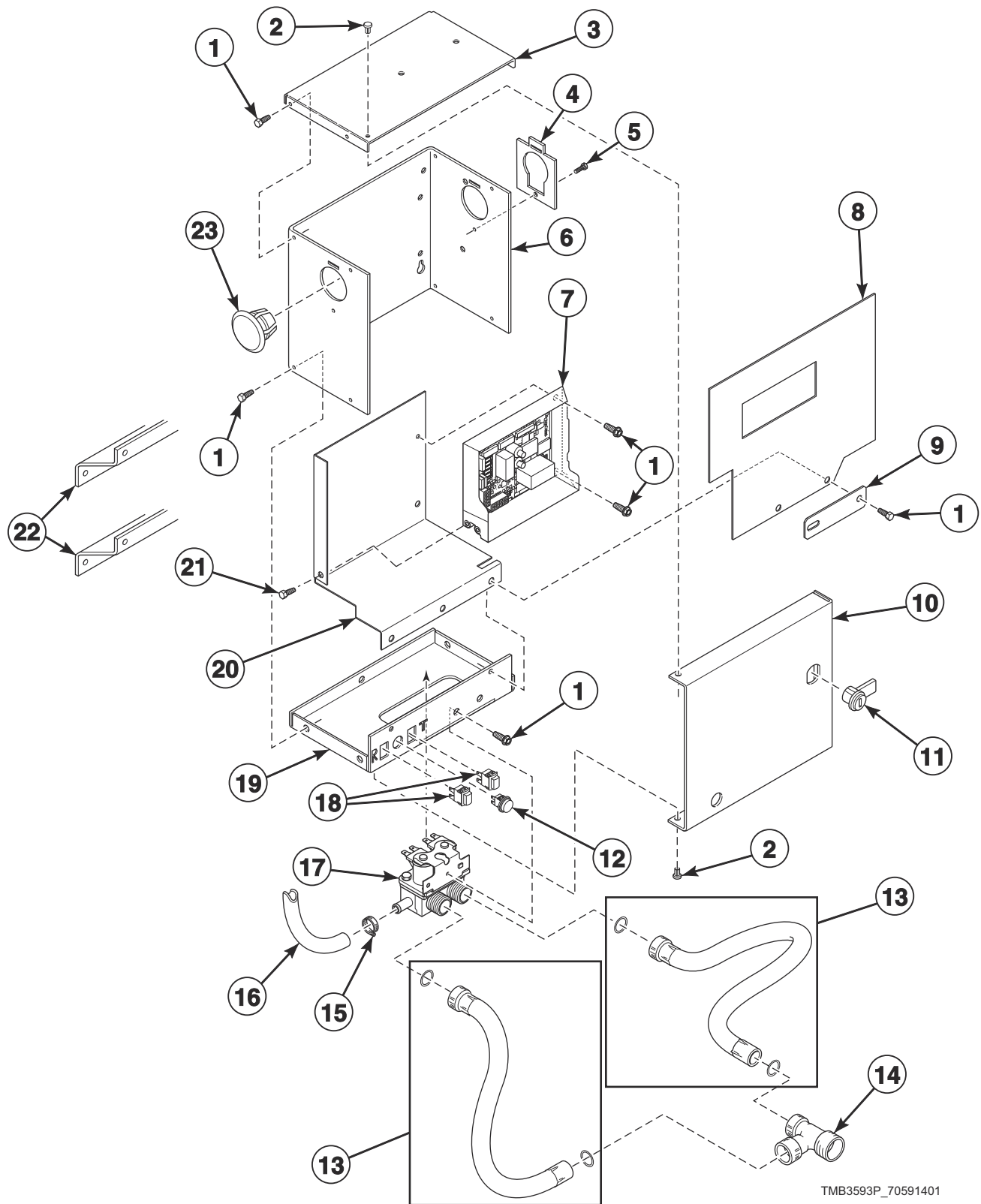
TMB3534P_70591401

Fire Suppression System Components

| REF | PART NO. | DESCRIPTION | COMMENTS |
|-----|----------|-----------------------|-------------|
| 1 | 70427901 | Union Tee | |
| 2 | 70178701 | Snap Bushing | |
| 3 | 70523301 | Harness Adapter Plate | |
| 4 | 51780 | Screw | 4 required |
| 5 | 70427701 | Spray Nozzle Hose | 2 required |
| 6 | 70427601 | Tube Assembly | |
| 7 | 430497 | Screw | 12 required |
| 8 | 70424201 | Nozzle Bracket | 2 required |
| 9 | 70424401 | Thermistor Plate | 2 required |
| 10 | 44064701 | Thermistor | 2 required |
| 11 | 70427801 | Spray Nozzle | 2 required |
| 12 | 70428101 | Elbow | 2 required |
| 13 | 70428601 | Nozzle Bracket | 2 required |

Fire Suppression System Control Box

Gas and Steam Models

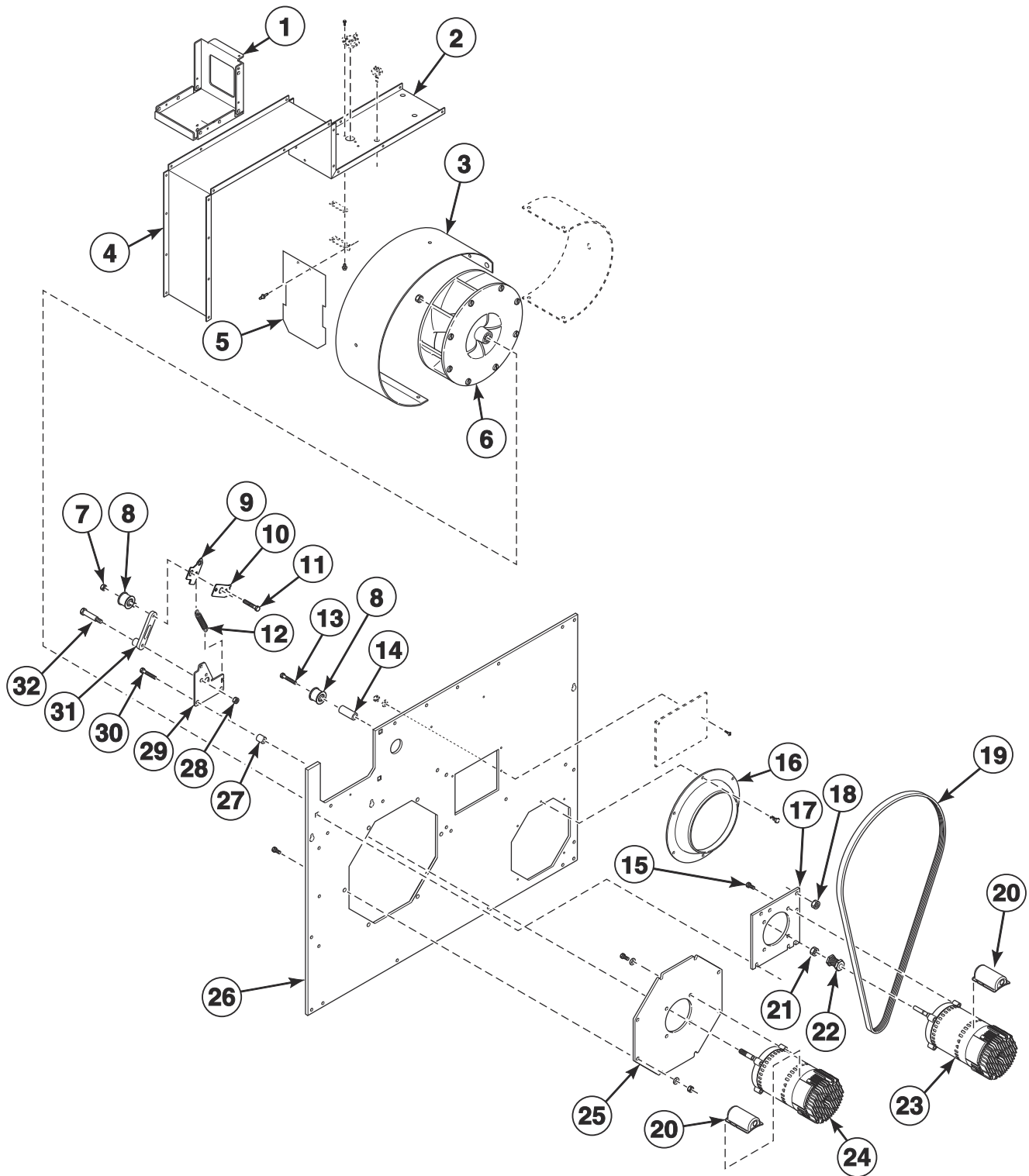


TMB3593P_70591401

Fire Suppression System Control Box

| REF | PART NO. | DESCRIPTION | COMMENTS |
|-----------|-----------|-----------------------------|---|
| | 44340301 | Cold Weather Kit | |
| | 70155601 | Key | RL001; Use with item 11 |
| | 44334404 | Control Harness | |
| | 44334405 | Water Valve Harness | |
| | 44334402 | Power Sensor Harness | |
| | 44334401 | Interconnect Harness | |
| | 44334406 | Sensor Harness | |
| | 44324501 | Warning Label | F.S.S.; North America models |
| | 44324500 | Label Kit | F.S.S.; IEC models |
| | F8614401 | Shock Warning Label | North America models |
| | F8614201 | Shock Warning Label | IEC models |
| | 44318200 | Label Kit | IEC models |
| | 44324502 | Warning Label | |
| | 44318201 | Label | North America models |
| 1 | 430497 | Screw | |
| 2 | M400713 | Drive Rivet | |
| 3 | 44307101 | Control Box Top | |
| 4 | 70523301 | Harness Adapter Plate | |
| 5 | 51780 | Screw | |
| 6 | 44306701 | Control Box Housing | |
| 7 | 70511601 | Control | |
| 8 | 44326801 | Shield | |
| 9 | 70551701 | Filter Mounting Plate | |
| 10 | 44065201 | Control Box Cover | |
| 11 | 44089301P | Lock, Key and Nut Kit | RL001 key code; Optional if same key is to be used for control lock |
| 12 | 801432 | Light | |
| 13 | 202799 | Fill Hose | 2 required |
| 14 | 44069101 | Hose Fitting | North America models |
| 15 | 36801 | Hose Clamp | |
| 16 | 44073304 | Hose | 14 inches; Outlet hose |
| 17 | 70519801 | Mixing Valve | |
| 18 | 801434W | Push-to-Start Switch | 2 required |
| 19 | 44065301 | Control Box Base | |
| 20 | 44306601 | Mixing Valve Shield Bracket | |
| 21 | 804608 | Screw | |
| 22 | 70601401 | Mounting Bracket | |
| 23 | 70180001 | Plug | |

Motor Components

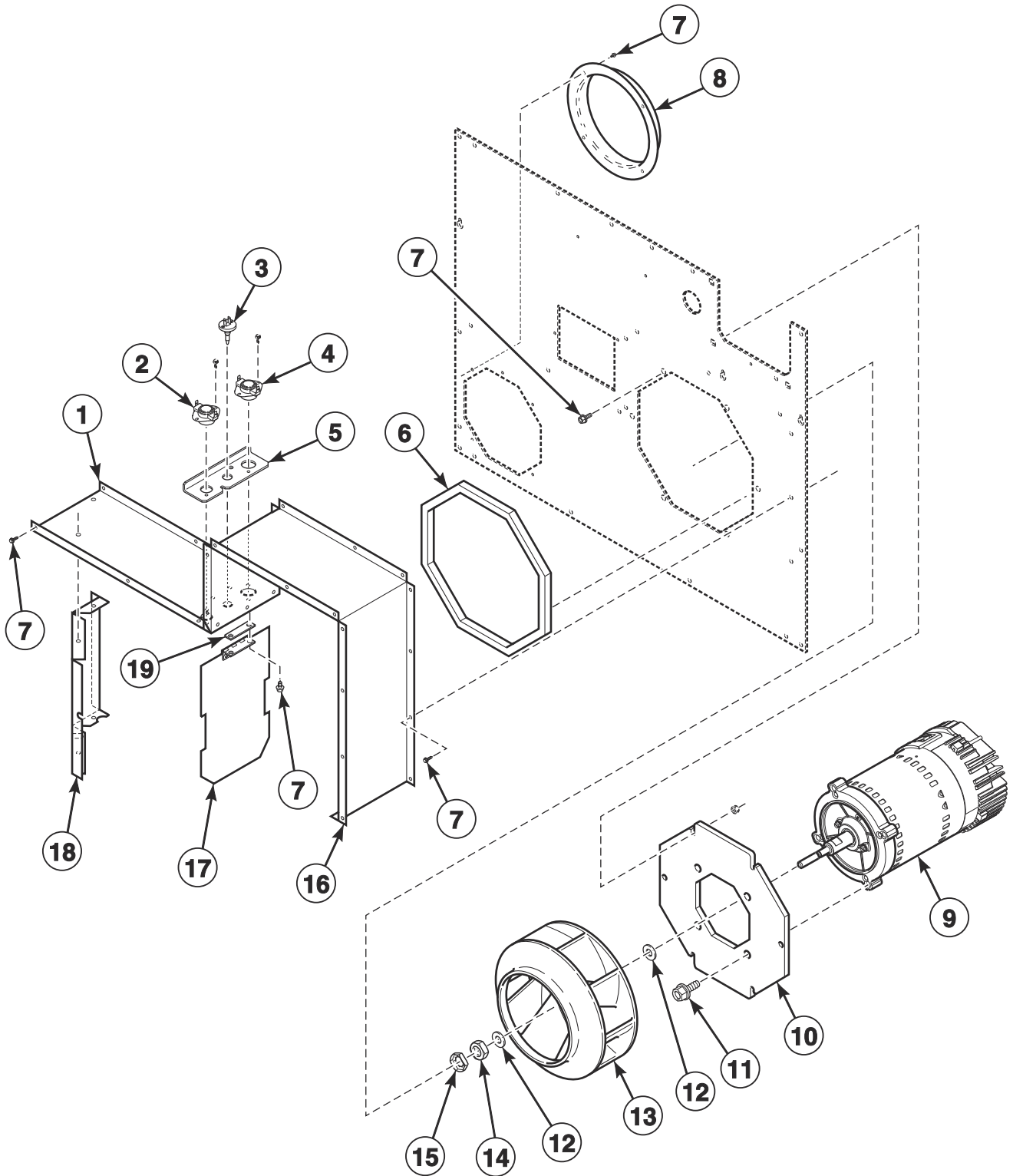


TMB3818P_70591401

Motor Components

| REF | PART NO. | DESCRIPTION | COMMENTS |
|-----|-----------|-----------------------------------|-------------------------------|
| 1 | 70564101 | Motor Mount Bracket | |
| 2 | 70554701 | Blower Housing | Top |
| 3 | 70016301 | Blower Housing Scroll | |
| 4 | 70215101 | Blower Housing | |
| 5 | 70209501 | Damper and Hinge Exhaust Assembly | |
| 6 | 70359801P | Blower Assembly | |
| 7 | 56156 | Nut | |
| 8 | 70050401P | Idler Wheel Assembly | |
| 9 | 70569501 | Tensioning Bracket | |
| 10 | 70543401 | Spring Catch Bracket | |
| 11 | 70508301 | Screw | |
| 12 | 70571801 | Spring | |
| 13 | F430144 | Screw | |
| 14 | 70569603 | Standoff | |
| 15 | 70126104 | Screw | |
| 16 | 70017801 | Exhaust Thimble | |
| 17 | 70564201 | Motor Mount Plate | |
| 18 | 44087201 | Nut | |
| 19 | 70655102 | Lever Arm and Belt Kit | |
| 20 | 70521901 | Motor Conduit Mounting Bracket | |
| 21 | 44333202 | Nut | |
| 22 | 70559101 | Motor Pulley | |
| 23 | 70478601P | Drive Motor | .33 HP; 120, 230 Volt/1 Phase |
| | 70485001P | Drive Motor | .33 HP; 380-460 Volt/3 Phase |
| 24 | 70478701P | Fan Motor | .50 HP; 120, 230 Volt/1 Phase |
| | 70484901P | Fan Motor | .50 HP; 380-460 Volt/3 Phase |
| 25 | 70349601 | Blower Motor Mounting Plate | |
| 26 | 70493301 | Lower Rear Assembly | |
| 27 | 70488403 | Spacer | |
| 28 | 44087301 | Nut | |
| 29 | 70571901 | Drive Plate | |
| 30 | 70546301 | Screw | |
| 31 | 70653801 | Lever Arm and Bushing Assembly | |
| 32 | 70501301 | Screw | |

Blower and Exhaust Components

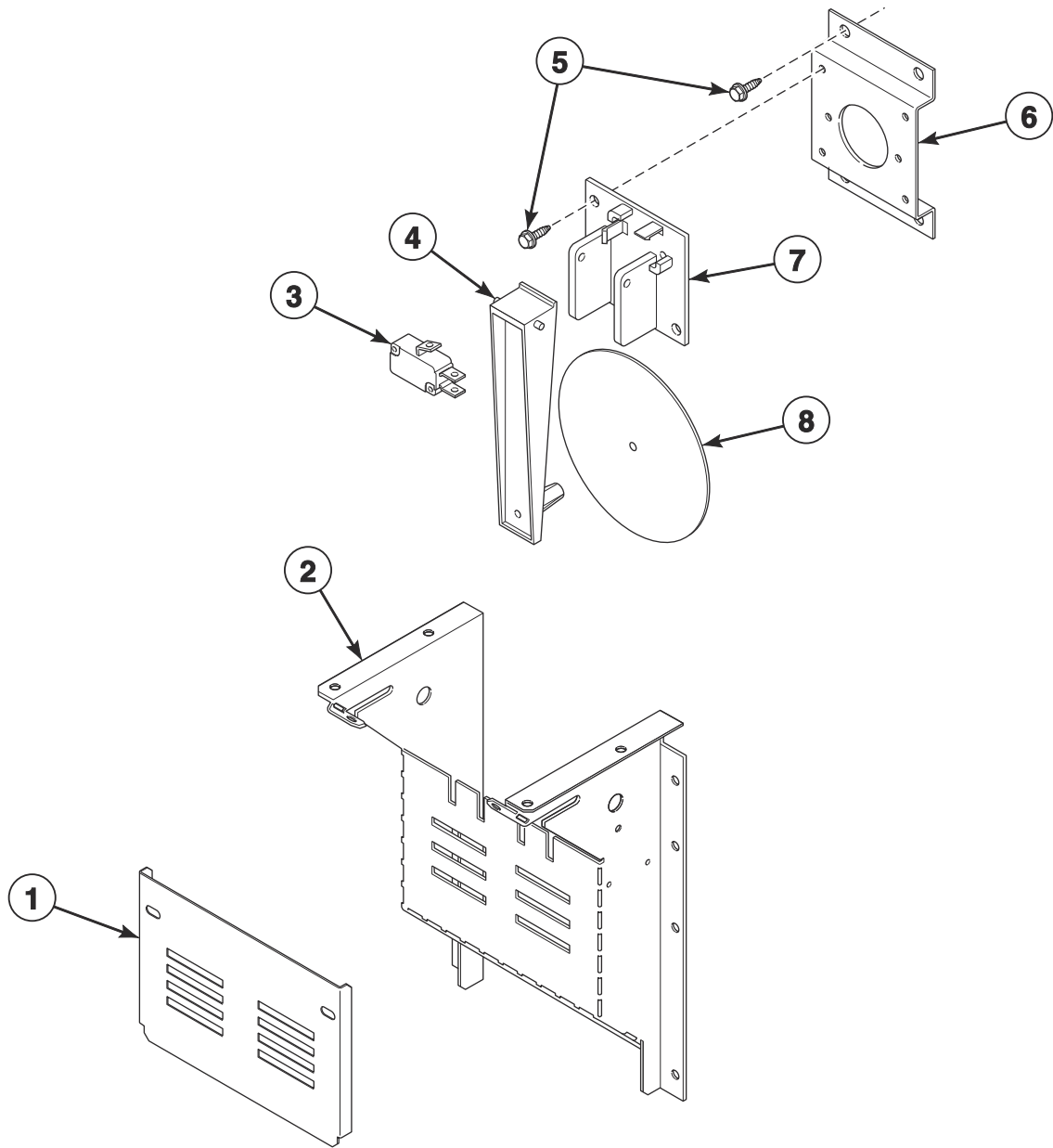


TMB3533P_70591401

Blower and Exhaust Components

| REF | PART NO. | DESCRIPTION | COMMENTS |
|-----|-----------|-----------------------------------|-------------------------------|
| 1 | 70554701 | Blower Housing | Top |
| 2 | 70530901 | Limit Thermostat | Manual reset |
| 3 | M414704 | Thermistor | |
| 4 | 44328001 | Limit Thermostat | Auto reset |
| 5 | 70554901 | Limit Access Bracket | |
| 6 | 70392701P | Gasket | For blower housing opening |
| 7 | 430497 | Screw | |
| 8 | 70014101 | Blower Inlet Cone | |
| 9 | 70478701P | Fan Motor | .50 HP; 120, 230 Volt/1 Phase |
| | 70484901P | Fan Motor | .50 HP; 380-460 Volt/3 Phase |
| 10 | 70349601 | Blower Motor Mounting Plate | |
| 11 | 70126101 | Screw | |
| 12 | M400991 | Washer | |
| 13 | 70359801P | Blower Assembly | |
| 14 | M400022 | Nut | |
| 15 | M400034 | Nut | |
| 16 | 70215101 | Blower Housing | |
| 17 | 70209501 | Damper and Hinge Exhaust Assembly | |
| 18 | 70020301 | Blower Housing | Left |
| 19 | 70220901 | Damper Spacer | |

Airflow Switch

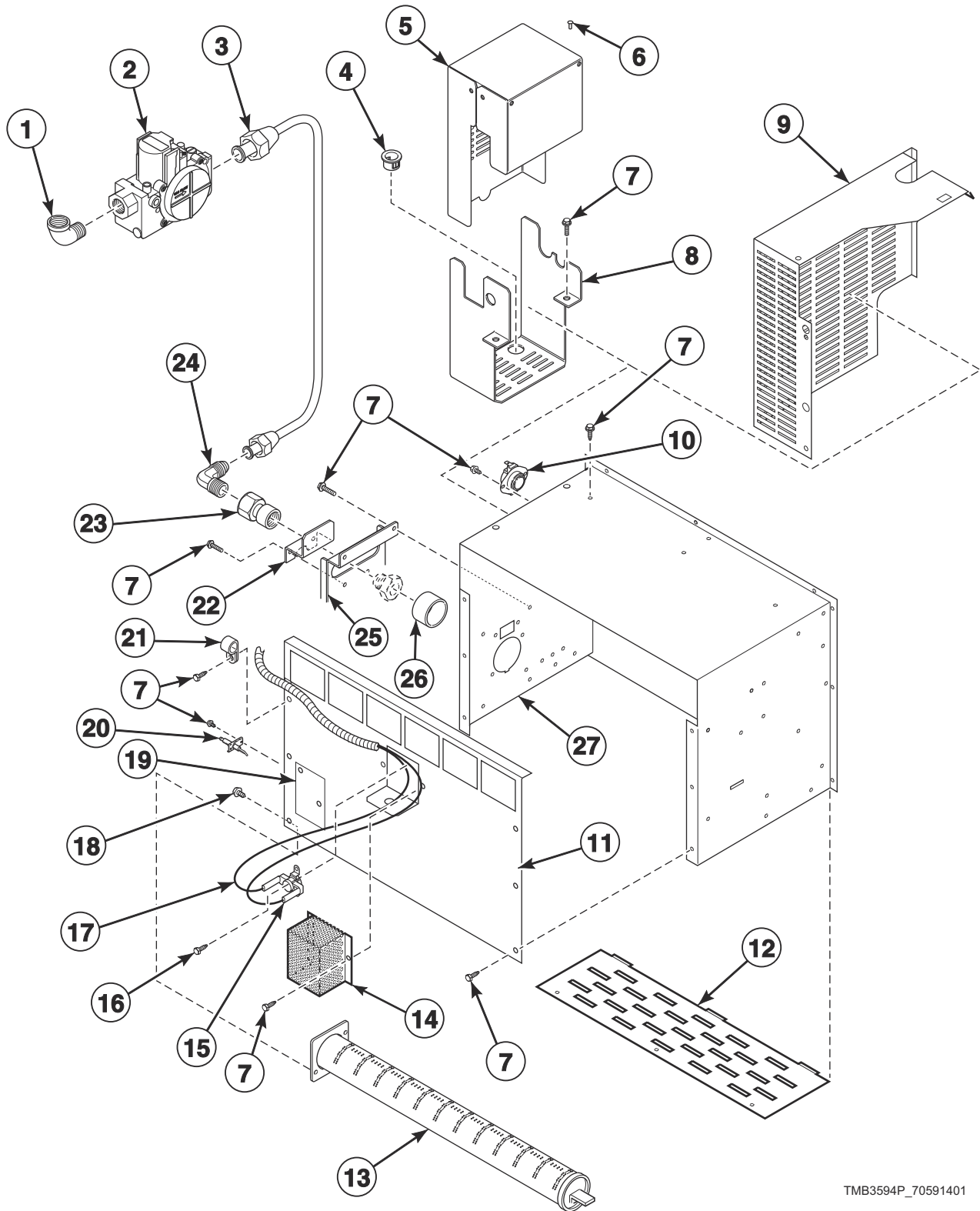


TMB3126P_70591401

Airflow Switch

| REF | PART NO. | DESCRIPTION | COMMENTS |
|-----|----------|--------------------------------|----------------------|
| 1 | 70356601 | Airflow Switch Cover | Non-moisture sensing |
| | 70465701 | Airflow Switch Cover | Moisture sensing |
| 2 | 70356101 | Airflow Switch Wrapper | |
| 3 | 70411901 | Switch | |
| 4 | 70319401 | Airflow Switch Arm | |
| 5 | 430497 | Screw | |
| 6 | 70356301 | Switch Bracket | |
| 7 | 70319602 | Airflow Switch and Arm Bracket | |
| 8 | 70319201 | Airflow Switch Vane | |

Gas Heater Components

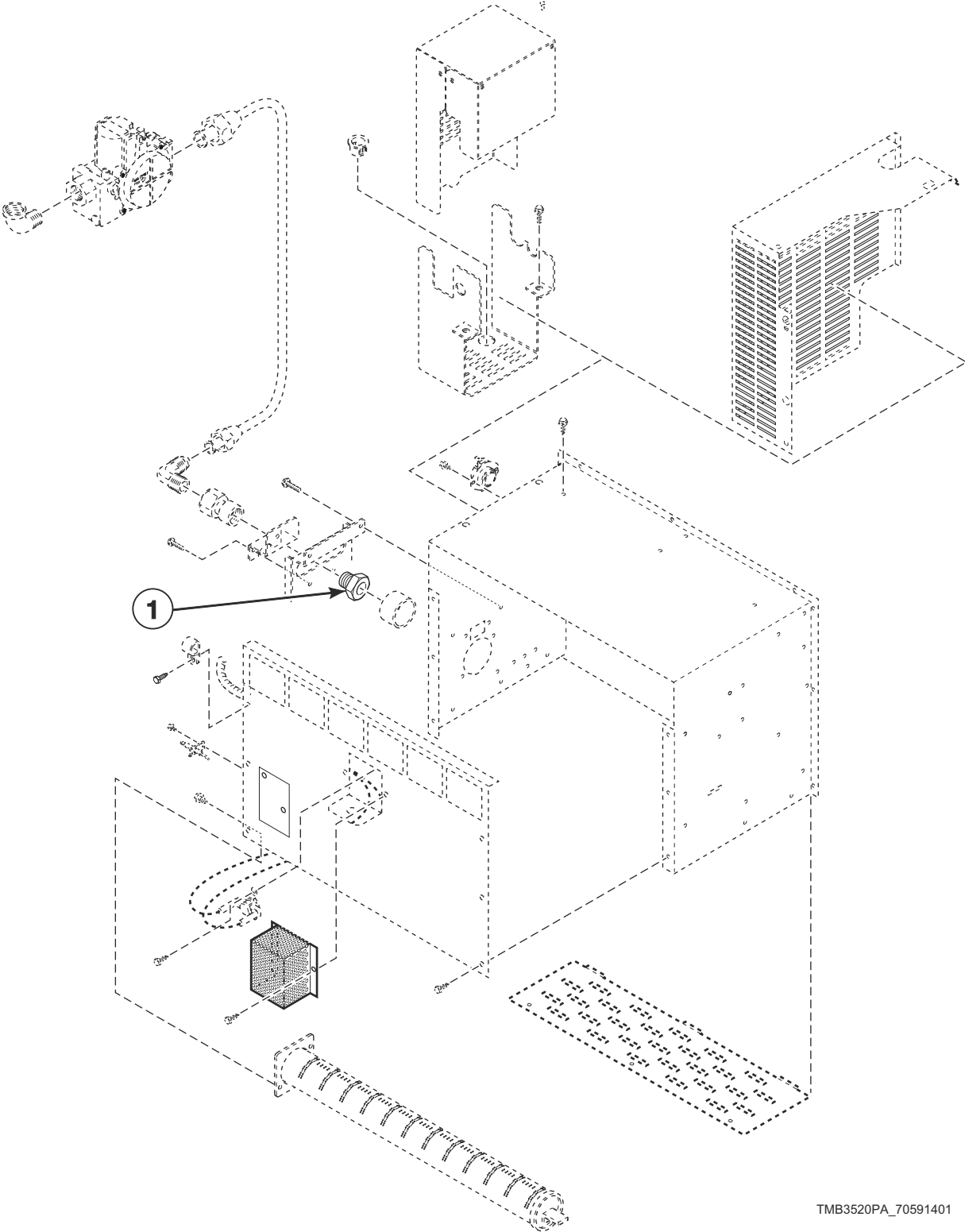


TMB3594P_70591401

Gas Heater Components

| REF | PART NO. | DESCRIPTION | COMMENTS |
|-----------|-----------|---------------------------------|--|
| | 44273501 | Gas Valve Harness | |
| | 44239702 | High Voltage Suppression Cable | |
| | 70346801 | Pipe Plug | |
| | 70550203 | L.P. Conversion Kit | North America and Australian models; Natural Gas (N.G.); 0-2,000 feet |
| | 70551903 | L.P. Conversion Kit | IEC models; N.G.; 0-2,000 feet |
| | 70131901 | Adapter | IEC models; BPT/NPT |
| | 70167601 | Plug | IEC models |
| | 70535901 | Notice Label | Australian models; N.G. |
| | 70544901 | Notice Label | Australian models; Liquid Petroleum (L.P.) Gas |
| 1 | H86070034 | Street Elbow | T market models |
| | F422304 | Street Elbow | All other models |
| 2 | 44154503 | N.G. Valve | North America models |
| | 44154504 | L.P. Valve | North America models |
| | 44154507 | Gas Valve | IEC models; N.G.; 1/2 NPT |
| | 44154508 | Gas Valve | IEC models; L.P.; 1/2 NPT |
| 3 | 70271201 | Gas Line Assembly | |
| 4 | M400770 | Snap Bushing | |
| 5 | 70429901 | Gas Valve Cover | |
| 6 | M405750 | Pop Rivet | 4 required |
| 7 | 430497 | Screw | 10 required |
| 8 | 70504101 | Gas Valve Bracket | |
| 9 | 70429901 | Gas Valve Cover | IEC models |
| 10 | 44328004 | Limit Thermostat | Side |
| 11 | 70371501 | Stove Back | |
| 12 | 70188801 | Burner Grill | |
| 13 | 70229801P | Gas Burner | |
| | 70546701 | Anti-Rattle Burner Assembly | Includes 70229801P Gas Burner, 431318 Control Door Latch and M400003 Pop Rivet |
| 14 | M414477 | Thermostat Cover | |
| 15 | 44328101 | Limit Thermostat | Rear |
| 16 | M405188 | Screw | 2 required |
| 17 | 70564301 | Stove Limit Harness | |
| 18 | 05161 | Screw | |
| 19 | 70159601 | Igniter Cover | |
| 20 | 70548701P | Spark Electrode | |
| 21 | 70203701 | Pipe Clip | |
| 22 | 70539901 | Ignition Keeper Orifice Bracket | |
| 23 | 70379301 | Orifice Adapter | |
| 24 | 70208701 | Elbow | 2 required |
| 25 | 70248901 | Orifice Holder Bracket | |
| 26 | 70239801 | Primary Air Adjustment Sleeve | L.P. models |
| 27 | 70333401 | Stove Top and Sides | |

Burner Orifices

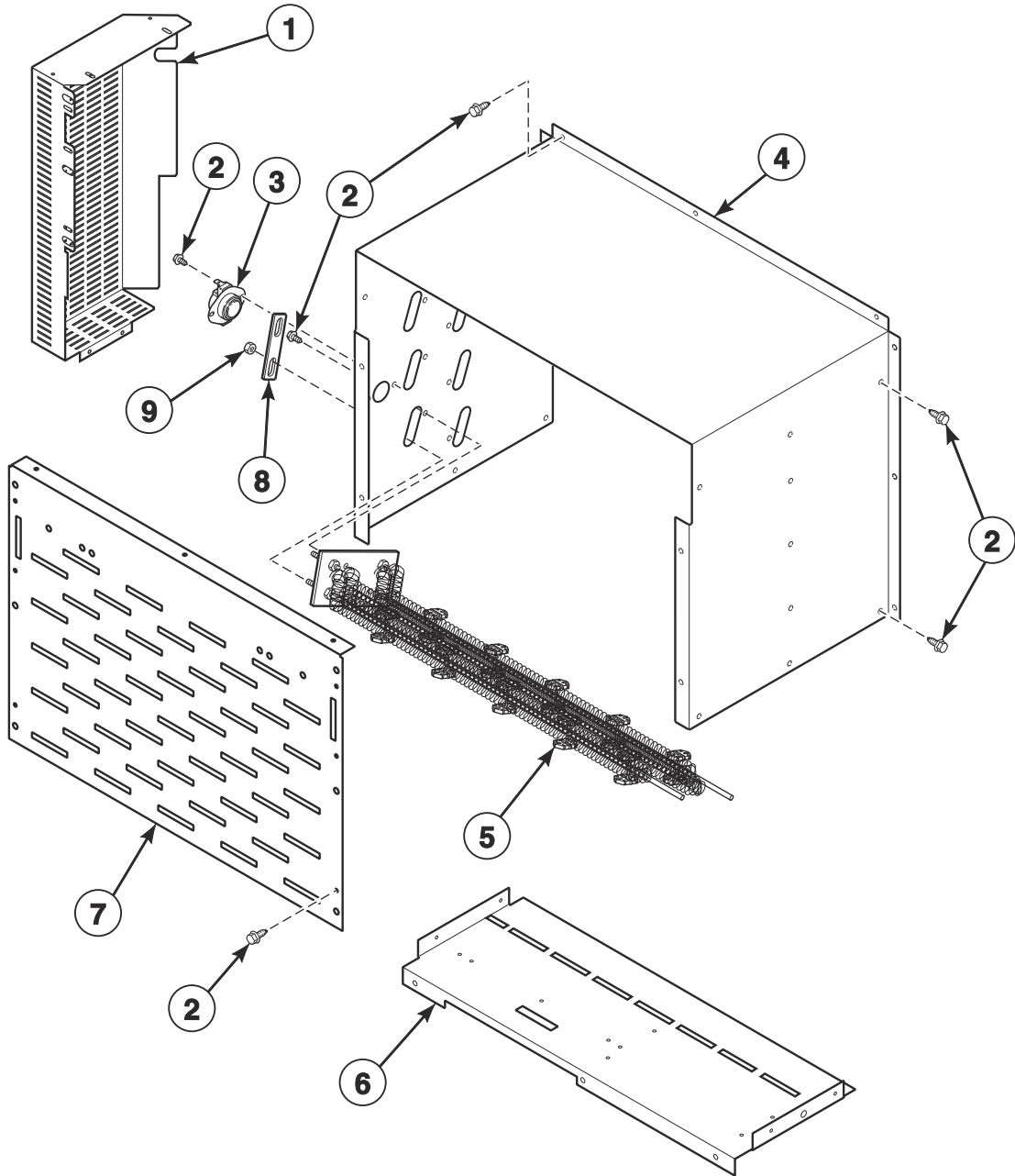


TMB3520PA_70591401

Burner Orifices

| REF | PART NO. | DESCRIPTION | COMMENTS |
|-----|----------|---------------------------|---|
| | 70609905 | High Altitude Orifice Kit | North America Natural Gas (N.G.) models |
| | 70609906 | High Altitude Orifice Kit | North America Liquid Petroleum Gas (L.P.) models |
| 1 | 70684148 | Burner Orifice | Classic models; N.G.; Drill no. 15 (4.57 mm); 0-2,000 feet |
| | 70684145 | Burner Orifice | Classic models; N.G.; Drill no. 11/64 (4.37 mm); 2,001-4,000 feet |
| | 70684143 | Burner Orifice | Classic models; N.G.; Drill no. 19 (4.22 mm); 4,001-6,000 feet |
| | 70684142 | Burner Orifice | Classic models; N.G.; Drill no. 20 (4.09 mm); 6,001-8,000 feet |
| | 70684139 | Burner Orifice | Classic models; N.G.; Drill no. 23 (3.91 mm); 8,001-10,000 feet |
| | 70684123 | Burner Orifice | Classic models with 2nd digit A, G, H, J, K, L and T; L.P.; Drill no. 34 (2.82 mm); 0-2,000 feet |
| | 70684120 | Burner Orifice | Classic models with 2nd digit A, G, H, J, K, L and T; L.P.; Drill no. 36 (2.71 mm); 2,001-4,000 feet |
| | 70684118 | Burner Orifice | Classic models with 2nd digit A, G, H, J, K, L and T; L.P.; Drill no. 38 (2.58 mm); 4,001-6,000 feet |
| | 70684116 | Burner Orifice | Classic models with 2nd digit A, G, H, J, K, L and T; L.P.; Drill no. 40 (2.49 mm); 6,001-8,000 feet |
| | 70684114 | Burner Orifice | Classic models with 2nd digit A, G, H, J, K, L and T; L.P.; Drill no. 42 (2.37 mm); 8,001-10,000 feet |
| | 70684116 | Burner Orifice | CE classic models; L.P.; Drill no. 40 (2.49 mm); 0-2,000 feet |
| | 70684114 | Burner Orifice | CE classic models; L.P.; Drill no. 42 (2.37 mm); 2,001-4,000 feet |
| | 70684113 | Burner Orifice | CE classic models; L.P.; 2.3 mm; 4,001-6,000 feet |
| | 70684111 | Burner Orifice | CE classic models; L.P.; 2.2 mm; 6,001-8,000 feet |
| | 70684109 | Burner Orifice | CE classic models; L.P.; Drill no. 45 (2.08); 8,001-10,000 feet |
| | 70684117 | Burner Orifice | Classic J market models; L.P.; Drill no. 39 (2.53 mm); 0-2,000 feet |
| | 70684114 | Burner Orifice | Classic J market models; L.P.; Drill no. 42 (2.37 mm); 2,001-4,000 feet |
| | 70684113 | Burner Orifice | Classic J market models; L.P.; 2.3 mm; 4,001-6,000 feet |
| | 70684112 | Burner Orifice | Classic J market models; L.P.; Drill no. 43 (2.26 mm); 6,001-8,000 feet |
| | 70684110 | Burner Orifice | Classic J market models; L.P.; Drill no. 44 (2.18 mm); 8,001-10,000 feet |
| | 70684139 | Burner Orifice | Eco models; N.G.; Drill no. 23 (3.91 mm); 0-2,000 feet |
| | 70684136 | Burner Orifice | Eco models; N.G.; Drill no. 26 (3.73 mm); 2,001-4,000 feet |
| | 70684134 | Burner Orifice | Eco models; N.G.; Drill no. 28 (3.57 mm); 4,001-6,000 feet |
| | 70684133 | Burner Orifice | Eco models; N.G.; 3.50 mm; 6,001-8,000 feet |
| | 70684130 | Burner Orifice | Eco models; N.G.; 3.30 mm; 8,001-10,000 feet |

Electric Heater Components

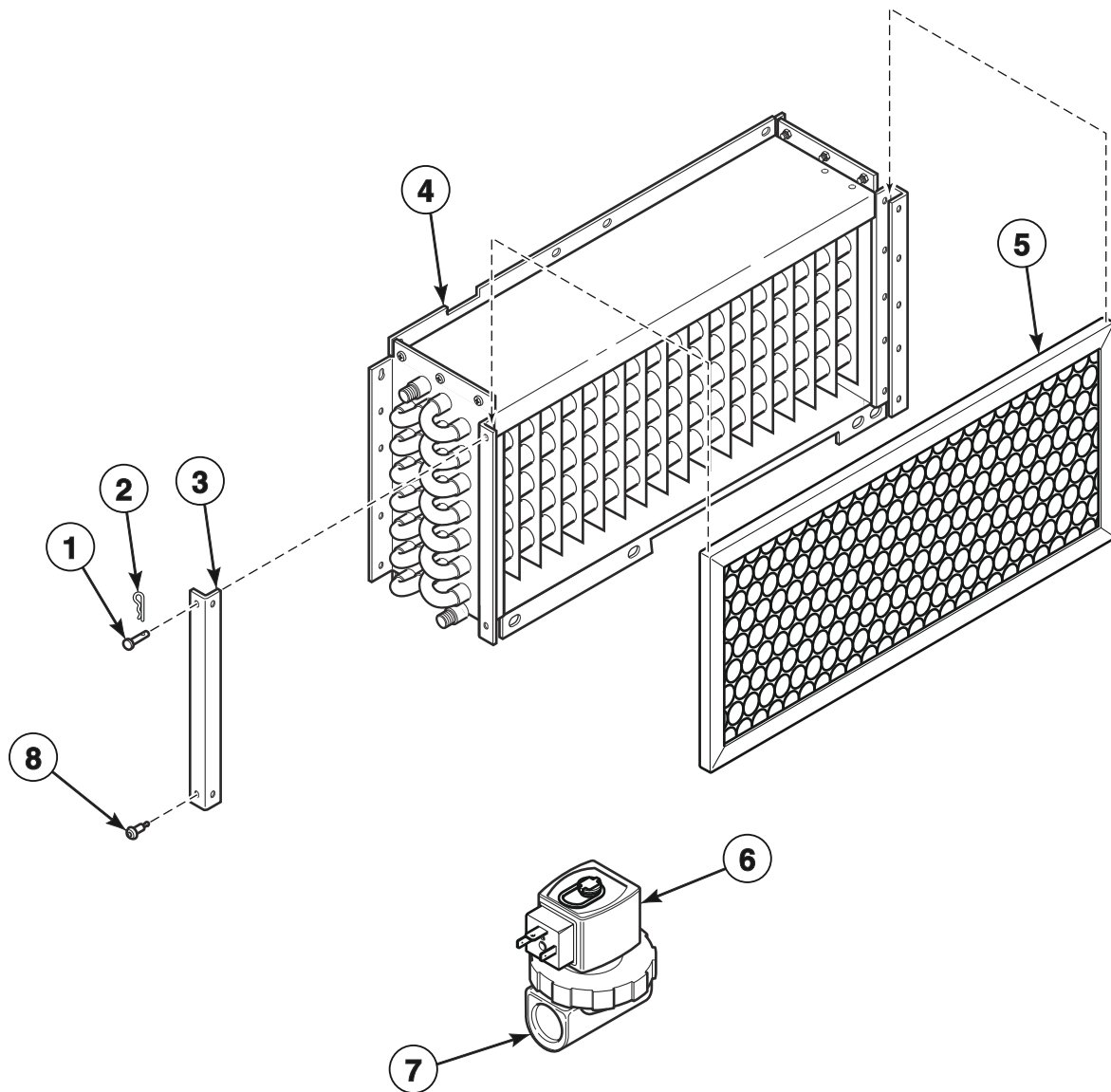


TMB3521P_70591401

Electric Heater Components

| REF | PART NO. | DESCRIPTION | COMMENTS |
|----------|-----------|------------------------|---|
| | 70564303 | Stove Limit Harness | |
| | 44281709 | Jumper Harness | Use with 440-480 Volt |
| | 44295412 | Jumper Harness | Use with 380-415 Volt; 4 required |
| 1 | 70365201 | Stove Connectors Cover | |
| 2 | 430497 | Screw | |
| 3 | 44328006 | Limit Thermostat | |
| 4 | 70525601 | Stove Top and Sides | |
| 5 | 70034404P | Heater Element | Classic models; 3 required; 8 kW; 208 Volt heater element for 200-208 Volt/1 or 3 Phase |
| | 70034405P | Heater Element | Classic models; 3 required; 8 kW; 220 Volt heater element for 380 and 440 Volt/3 Phase |
| | 70034406P | Heater Element | Classic models; 3 required; 8 kW; 240 Volt heater element for 230-240 Volt/1 or 3 Phase and 400-415 and 460-480 Volt/3 Phase |
| | 70034414P | Heater Element | Eco models; 3 required; 4 kW; 220 Volt heater element for 380 and 440 Volt/3 Phase |
| | 70034416P | Heater Element | Eco models; 3 required; 4 kW; 240 Volt heater element for 230-240, 400-415 or 460-480 Volt/3 Phase |
| | 70034415P | Heater Element | Eco models; 3 required; 4 kW; 208 Volt heater element for 200-208 Volt/3 Phase |
| | 70034412P | Heater Element | Medium electric models; 3 required; 6 kW; 240 Volt heater element for 230-240 Volt/1 or 3 Phase, 400-415 and 460-480 Volt/3 Phase |
| | 70034410P | Heater Element | Medium electric models; 3 required; 6 kW; 208 Volt heater element for 200-208 Volt/1 or 3 Phase |
| | 70034411 | Heater Element | Medium electric models; 3 required; 6 kW; 220 Volt heater element for 380 and 440 Volt/3 Phase |
| | 70034413P | Heater Element | Model SU035P; 3 required; 3 kW; 220 Volt heater element for 380 and 440 Volt/3 Phase |
| | 70034417 | Heater Element | Model SU035P; 3 required; 3 kW; 240 Volt heater element for 230-240 Volt/1 or 3 Phase, 400-415 or 460-480 Volt/3 Phase |
| | 70034418P | Heater Element | Model SU035P; 3 required; 3 kW; 208 Volt heater element for 200-208 Volt/1 or 3 Phase |
| 6 | 70357201 | Stove Partition | |
| 7 | 70214901 | Stove Grill | |
| 8 | 70066501 | Jumper Bar | 2 required for 440-480 Volt |
| | M400869 | Jumper Strip | 3 required for 440-480 Volt; 6 required for 200-240 Volt |
| 9 | 70054 | Nut | |

Steam Heater Components

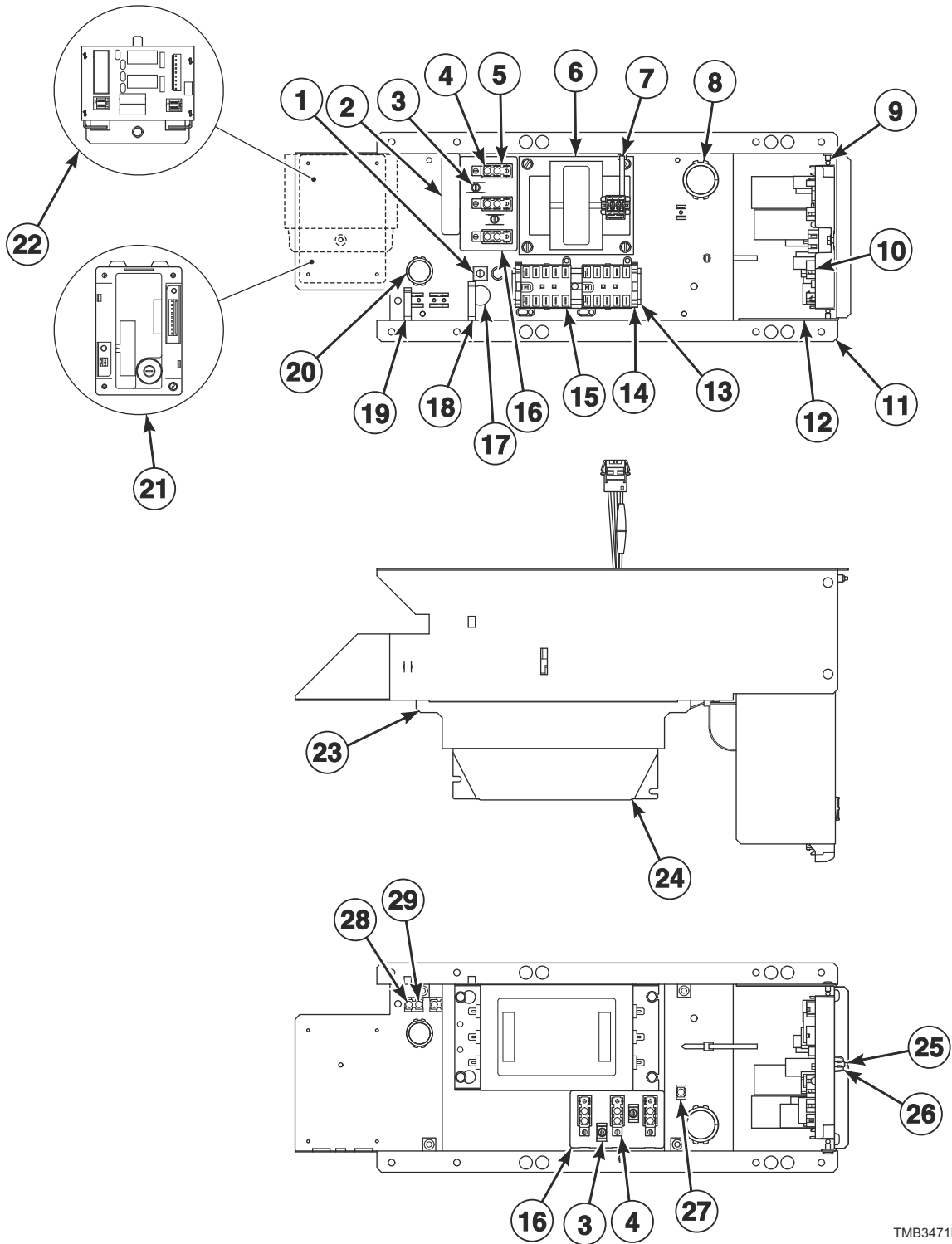


TMB3522P_70591401

Steam Heater Components

| REF | PART NO. | DESCRIPTION | COMMENTS |
|-----|-----------|----------------------------|-----------------|
| | F8382301 | DIN Valve Adapter Kit | Use with item 7 |
| | 70564302 | Stove Limit Bypass Harness | |
| | F8520703 | Steam Valve Harness | |
| | 44304801 | Strain Relief | |
| | 70529601 | Steam Adapter Kit | IEC models |
| 1 | 70389201 | Clevis Pin | |
| 2 | 70389301 | Hairpin Cotter | |
| 3 | 70369301 | Steam Filter Holder | |
| 4 | 70369101P | Steam Coil | 4 rows |
| 5 | 70429401 | Filter | IEC models |
| | 70036001 | Air Filter | CSA models |
| 6 | F8514701 | Coil | 120 Volt |
| | F8514601P | Coil | 240 Volt |
| 7 | F8322904P | Steam Valve | 120 Volt |
| | F8322906P | Valve | 240 Volt |
| 8 | 70058501 | Pop Rivet | |

Control Tray

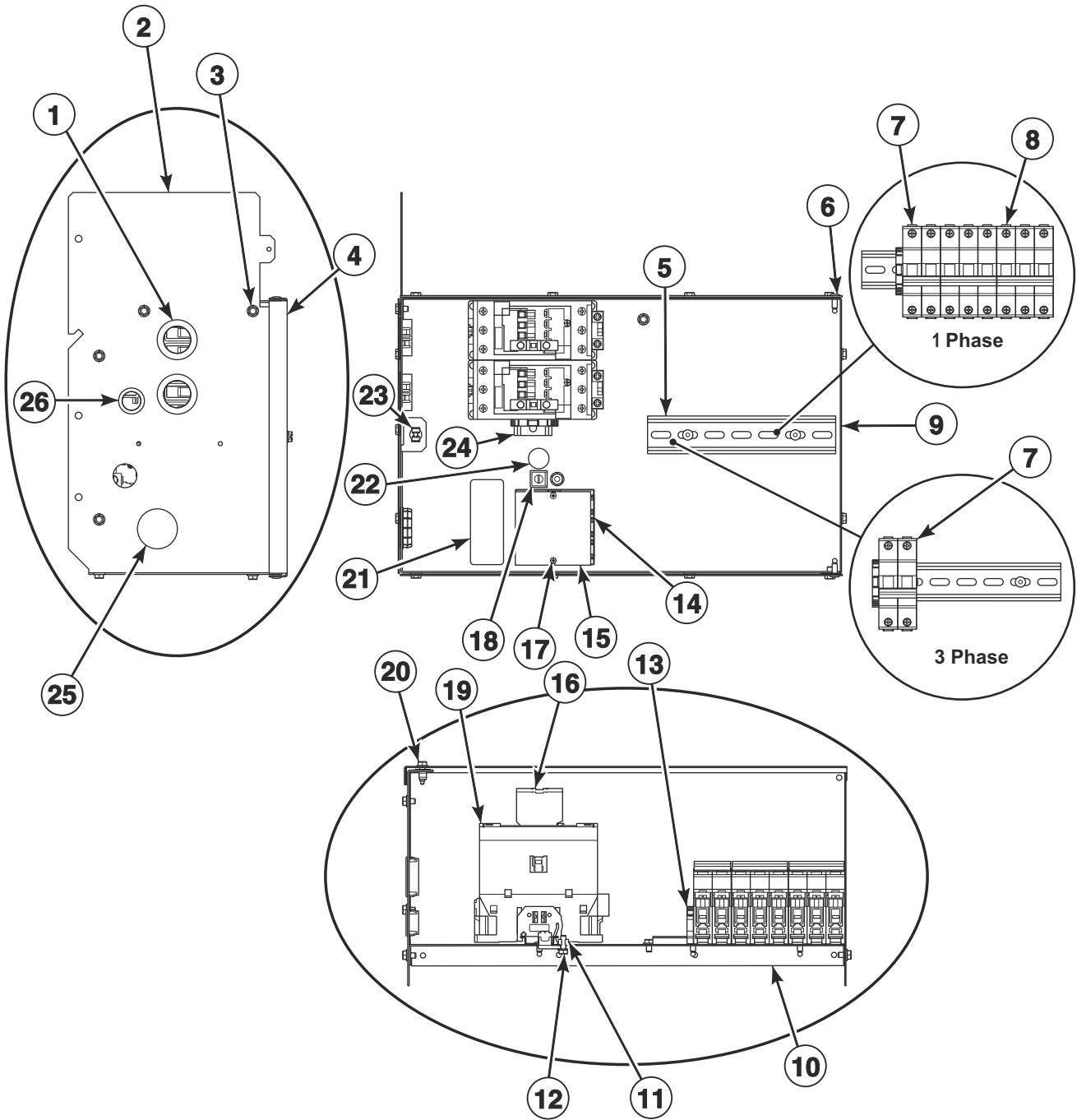


TMB3471P_70591401

Control Tray

| REF | PART NO. | DESCRIPTION | COMMENTS |
|-----------|-----------|----------------------------|--|
| | 685837 | Screw | Use with item 1 |
| | 44088001 | Nut | Use with item 1 |
| | 70507501 | Control Tray Cover | |
| | 70559301 | Conversion Kit | X to B voltage |
| | 44357401 | EMI Filter Kit | North America models; 100-240 Volt |
| | 44357402 | EMI Filter Kit | North America models; 380-480 Volt |
| 1 | M411283 | Ground Lug Connector | |
| 2 | 44286803 | Label | L1, L2, L3 |
| | 44286801 | Label | L1, N |
| | 44286802 | Wire Label | L1 L2, L1 N |
| | 44286804 | Wire Label | L1 L2, L1 N, L1 L2 L3 |
| 3 | 51783 | Screw | |
| 4 | 430642 | Terminal Block | |
| 5 | 70333001 | Terminal Block Shield | |
| 6 | F8491101 | Transformer | 380-480 Volt |
| 7 | 70335601 | Cable Tie | |
| 8 | 70346501 | Bushing | |
| 9 | 70058501 | Pop Rivet | |
| 10 | 70479201P | I/O Control Assembly | |
| 11 | 70492401 | Control Tray | |
| 12 | 70494901 | Control Board Control Tray | |
| 13 | M412690 | DIN Rail | |
| 14 | F8449801 | End Stop | |
| 15 | 70482601 | Contactors | 240 Volt or less: 1 required; 380 Volt or higher: 2 required |
| 16 | M413862 | Insulator | |
| 17 | D516100 | Label | |
| 18 | F8449501 | Wire Clip | |
| 19 | F8449502 | Wire Clip | |
| 20 | 70178701 | Snap Bushing | |
| 21 | 70482002 | Ignition Control | IEC gas models |
| | 70482001 | Ignition Control | North America gas models |
| 22 | 70501801 | Steam Control Assembly | Steam models |
| 23 | 70533101 | Filter Bracket | |
| 24 | F8591601 | EMI Filter | IEC models; 100-200 and 200-240 Volt/1 Phase |
| | F8637501 | EMI Filter | IEC models; 380-480 Volt |
| 25 | F8206901 | Screw | |
| 26 | 70030501 | Expansion Clip | |
| 27 | 00621SG | Male Tab Terminal | |
| 28 | M400003 | Pop Rivet | |
| 29 | 00622SG | Terminal | |

Accessory Box - Electric 200-240 Volt Models

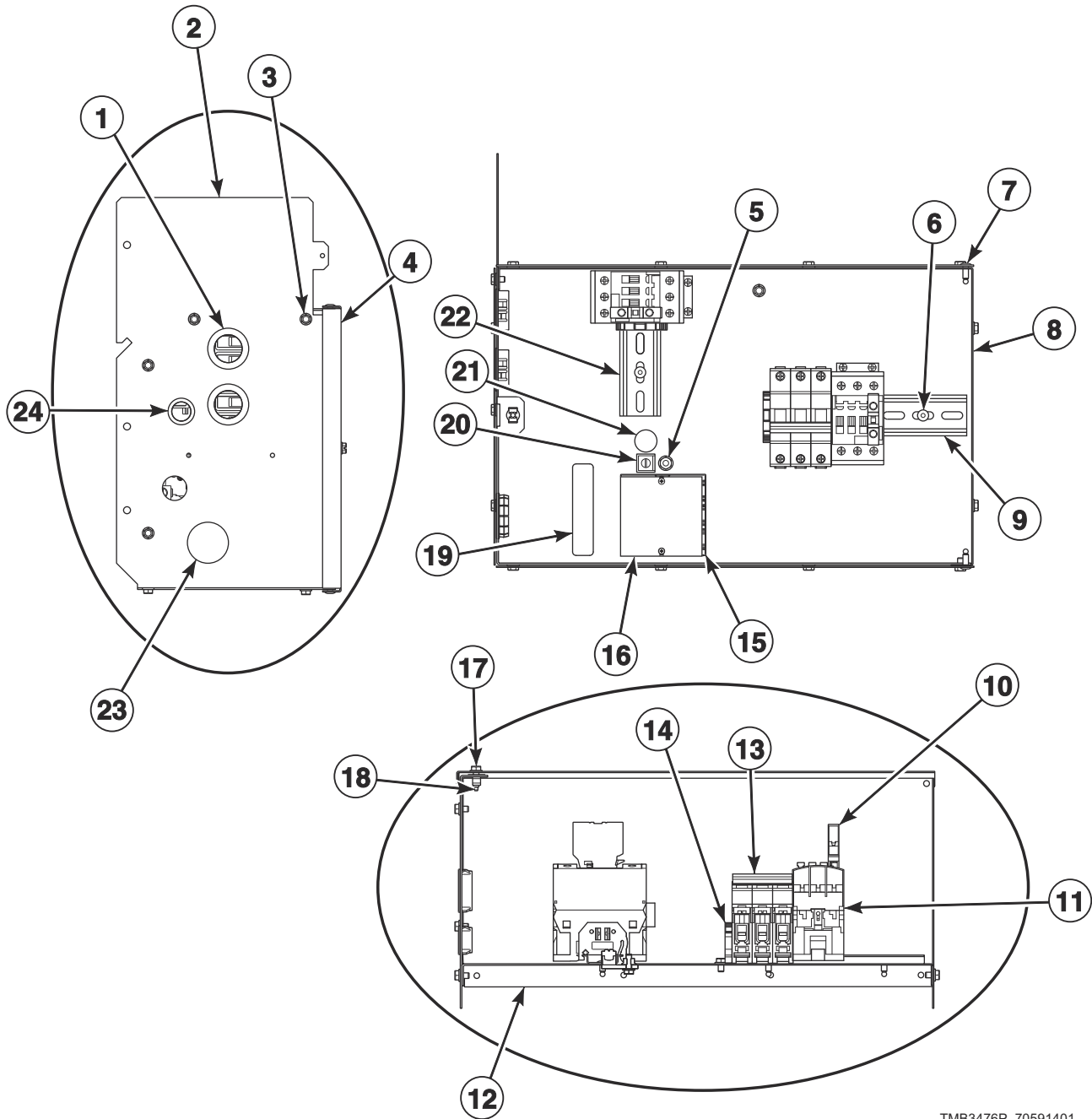


TMB3475P_70591401

Accessory Box - Electric 200-240 Volt Models

| REF | PART NO. | DESCRIPTION | COMMENTS |
|-----------|-----------|--------------------------------|---|
| | F8611600 | Warning Label Kit | IEC models |
| | F8611601 | Warning Label | |
| | 44334307 | Contactora Coil Harness | |
| | 44309001 | Harness | North America models; Power distribution block to control circuit breaker |
| | 44309011 | Harness | IEC models; Power distribution block to control circuit breaker |
| | 70516106 | Harness | Contactora to element |
| | 70516105 | Harness | Contactora to element |
| | 70516103 | Harness | 1 Phase; Power distribution block to circuit breaker/contactora |
| | 70516104 | Harness | Power distribution block to circuit breaker/contactora |
| | 70516101 | Harness | Power distribution block to circuit breaker/contactora |
| | 70516102 | Harness | 1 Phase; Power distribution block to circuit breaker/contacto |
| 1 | M402542 | Snap Bushing | 2 required |
| 2 | 70540601 | Accessory Box Side | Left |
| 3 | 51780 | Screw | |
| 4 | 70358401 | Accessory Box Cover | |
| 5 | F8134001 | DIN Rail | |
| 6 | 70058502 | Pop Rivet | |
| 7 | 70488102 | Circuit Breaker | 25 amp |
| 8 | 70488104 | Circuit Breaker | 2 required; 50 amp; 200-208 and 230-240 Volt/1 Phase |
| 9 | 70540701 | Accessory Box Side | Right |
| 10 | 70540501 | Accessory Box Back | |
| 11 | 44088001 | Nut | |
| 12 | 685837 | Screw | |
| 13 | F8449801 | End Stop | 2 required |
| 14 | M413865 | Power Distribution Block | |
| 15 | 44014901P | Power Distribution Block Cover | |
| 16 | 44313201 | Auxiliary Contact Block | 2 required |
| 17 | 39733 | Screw | |
| 18 | M411283 | Ground Lug Connector | |
| 19 | 70482801 | Contactora | 2 required |
| 20 | F8206901 | Screw | |
| 21 | 44286802 | Wire Label | 1 Phase |
| | 44286803 | Label | 3 Phase |
| 22 | D516100 | Label | |
| 23 | 70030501 | Expansion Clip | |
| 24 | M412690 | DIN Rail | |
| 25 | 70180001 | Plug | |
| 26 | M400770 | Snap Bushing | |

Accessory Box - Electric 380-480 Volt Models



TMB3476P_70591401

Accessory Box - Electric 380-480 Volt Models

| REF | PART NO. | DESCRIPTION | COMMENTS |
|-----------|-----------|--------------------------------|---|
| | F8611600 | Warning Label Kit | IEC models |
| | F8611601 | Warning Label | |
| | 44334307 | Contactora Coil Harness | |
| | 44334302 | Control Harness | 3 Phase |
| | 44309002 | Harness | North America models; Power distribution block to control circuit breaker |
| | 44309012 | Harness | IEC models; Power distribution block to control circuit breaker |
| | 70516106 | Harness | Contactora to element |
| | 70516103 | Harness | 2 required; Power distribution block to circuit breaker/contactora |
| 1 | M402542 | Snap Bushing | 2 required |
| 2 | 70540601 | Accessory Box Side | Left |
| 3 | 51780 | Screw | |
| 4 | 70358401 | Accessory Box Cover | |
| 5 | 685837 | Screw | |
| | 44088001 | Nut | |
| 6 | 70058501 | Pop Rivet | |
| 7 | 70058502 | Pop Rivet | |
| 8 | 70540701 | Accessory Box Side | Right |
| 9 | F8134001 | DIN Rail | |
| 10 | 44313201 | Auxiliary Contact Block | 2 required |
| 11 | 70482701 | Contactora | 2 required |
| 12 | 70540501 | Accessory Box Back | |
| 13 | 70488101 | Circuit Breaker | 25 amp |
| 14 | F8449801 | End Stop | 2 required |
| 15 | M413865 | Power Distribution Block | |
| 16 | 44014901P | Power Distribution Block Cover | |
| 17 | F8206901 | Screw | |
| 18 | 70030501 | Expansion Clip | |
| 19 | 44286803 | Label | |
| 20 | M411283 | Ground Lug Connector | |
| 21 | D516100 | Label | |
| 22 | M412690 | DIN Rail | |
| 23 | 70180001 | Plug | |
| 24 | M400770 | Snap Bushing | |

Harnesses

| PART NO. | DESCRIPTION | COMMENTS |
|-----------------|---------------------------------|---|
| 44316007 | Harness | IEC models; 1 Phase; Auxiliary power distribution block to filter harness |
| 44316008 | Harness | IEC models; 3 Phase; Auxiliary power distribution block to filter harness |
| 44280007 | Configuration Harness | 100-120 Volt; Cylinder |
| 44280006 | Configuration Harness | 100-120 Volt; Fan |
| 44356402 | Control Tray Harness Assembly | Electric models |
| 44356401 | Control Tray Harness Assembly | Gas models |
| 44356407 | Control Tray Harness Assembly | Steam models |
| 44334702 | Inverter Contactor Coil Harness | Secondary; 380-480 Volt |
| 44316001 | Harness | IEC models; 1 Phase; Main power distribution block to EMI filter harness |
| 44316002 | Harness | IEC models; 3 Phase; Main power distribution block to EMI filter harness |
| 44280005 | Configuration Harness | 3 Phase |
| 44280010 | Motor Contactor Power Harness | IEC models; 1 Phase |
| 44280012 | Motor Contactor Power Harness | IEC models; 3 Phase |
| 44280001 | Motor Contactor Power Harness | North America models; 1 Phase |
| 44280003 | Motor Contactor Power Harness | North America models; 3 Phase |
| 44280101 | Power Harness | Control and emergency stop connection; 380-480 Volt |
| 44272101 | Power Harness | Control and emergency stop connection; 100-120 and 200-240 Volt |
| 204454 | Ferrite | Korean models; EMI; Motor circuit, inverter communication circuit |
| 44335301 | Inverter Motor Harness | Cylinder |
| 44335302 | Inverter Motor Harness | Fan |
| 70608602 | EMC Shield | Korean gas models |

Labels

| PART NO. | DESCRIPTION | COMMENTS |
|-----------------|---------------------------|--|
| 44324201 | Caution Label | Australian models; Repeat Ignition Reset |
| 70535101 | Caution Label | Vent/install |
| F8614501 | Danger Label | Shock; English/French |
| F8614301 | Hot Surface Warning Label | English/French |
| F8609001 | Hot Surface Warning Label | Icon |
| F8611601 | Warning Label | |
| 70535100 | Label Kit | Vent/install |
| F8614500 | Label Kit | Shock |
| 70539601 | Notice Label | |
| F8609501 | Notice Label | |
| D516073 | Notice Label | Read instructions; Icon |
| 70538401 | Pinch Warning Label | English/French |
| F8615701 | Pinch Warning Label | Icon |
| F8614201 | Shock Warning Label | Icon |
| 70536301 | Warning Label | Lint; Australian models |
| 44324101 | Warning Label | Fire; Australian models |
| 70534305 | Warning Label | Fire; Colombian Spanish; Australian models |
| 44321601 | Warning Label | Risk of fire; Icon |

Parts Index

A

| | |
|--------------------------------|--------|
| Accessory Box Back | |
| 70540501 | 85, 87 |
| Accessory Box Cover | |
| 70358401 | 85, 87 |
| Accessory Box Side | |
| 70540601 | 85, 87 |
| 70540701 | 85, 87 |
| Adapter | |
| 70131901 | 75 |
| Air Filter | |
| 70036001 | 81 |
| Airflow Switch and Arm Bracket | |
| 70319602 | 73 |
| Airflow Switch Arm | |
| 70319401 | 73 |
| Airflow Switch Cover | |
| 70356601 | 73 |
| 70465701 | 73 |
| Airflow Switch Vane | |
| 70319201 | 73 |
| Airflow Switch Wrapper | |
| 70356101 | 73 |
| Anti-Rattle Burner Assembly | |
| 70546701 | 75 |
| Auxiliary Contact Block | |
| 44313201 | 85, 87 |

B

| | |
|-----------------------------|--------|
| Blind Rivet | |
| F8245101 | 55 |
| Blower Assembly | |
| 70359801P | 69, 71 |
| Blower Housing | |
| 70020301 | 71 |
| 70215101 | 69, 71 |
| 70554701 | 69, 71 |
| Blower Housing Scroll | |
| 70016301 | 69 |
| Blower Inlet Cone | |
| 70014101 | 71 |
| Blower Motor Mounting Plate | |
| 70349601 | 69, 71 |
| Bracket | |
| 70634201 | 49 |
| Burner Grill | |
| 70188801 | 75 |
| Burner Orifice | |
| 70684109 | 77 |
| 70684110 | 77 |
| 70684111 | 77 |
| 70684112 | 77 |
| 70684113 | 77 |
| 70684114 | 77 |
| 70684116 | 77 |
| 70684117 | 77 |
| 70684118 | 77 |

| | |
|----------------|--------|
| 70684120 | 77 |
| 70684123 | 77 |
| 70684133 | 77 |
| 70684134 | 77 |
| 70684136 | 77 |
| 70684139 | 77 |
| 70684142 | 77 |
| 70684143 | 77 |
| 70684145 | 77 |
| 70684148 | 77 |
| Bushing | |
| 70346501 | 63, 83 |
| Bypass Harness | |
| 44334103 | 51 |

C

| | |
|---------------------------|----|
| Cable Tie | |
| 70335601 | 83 |
| Caution Label | |
| 44324201 | 89 |
| 70535101 | 89 |
| Center Cylinder Seal | |
| 70066003 | 61 |
| Center Hinge Lug Assembly | |
| 70640402 | 39 |
| Center Pan | |
| 70564501 | 63 |
| Center Partition | |
| 70252601 | 63 |
| Central Pay Board Harness | |
| 44355604 | 31 |
| Central Pay Harness | |
| 44342801 | 17 |
| 44355601 | 31 |
| 44355605 | 31 |
| Central Pay Kit | |
| 70612701 | 31 |
| 70612703 | 31 |
| Circuit Breaker | |
| 70488101 | 87 |
| 70488102 | 85 |
| 70488105 | 85 |
| Clevis Pin | |
| 70389201 | 81 |
| Clip Keeper Bracket | |
| 70604901 | 49 |
| Clip Mount Bracket | |
| 70604801 | 49 |
| Coil | |
| F8514601P | 81 |
| F8514701 | 81 |
| Coin Box | |
| F160673P | 51 |
| Coin Chute Assembly | |
| 70296401 | 51 |
| Coin Drop | |
| 38963P | 27 |
| 39748 | 27 |
| 70441601 | 27 |
| 70441603 | 27 |

N/A items do not appear in index.

| | | | |
|--|--------|----------------------------------|--------|
| Coin Drop Assembly | | 70684406W | 45 |
| 201141 | 27 | 70684501 | 45 |
| 210195 | 27 | 70684502 | 45 |
| 210196 | 27 | 70684503W | 45 |
| 38462P | 27 | 70684504W | 45 |
| 38463 | 27 | Control Board Control Tray | |
| 38467 | 27 | 70494901 | 83 |
| 38519 | 27 | Control Box Base | |
| 70281102 | 27 | 44065301 | 67 |
| 70283102 | 27 | Control Box Cover | |
| 70441602 | 27 | 44065201 | 67 |
| 70447301 | 27 | Control Box Housing | |
| 70471601 | 27 | 44306701 | 67 |
| 70482401 | 27 | Control Box Top | |
| 70506901 | 27 | 44307101 | 67 |
| Coin Drop Kit | | Control Door and Studs Assembly | |
| CK077 | 27 | 70570201 | 25 |
| CK122 | 29 | Control Door Latch | |
| Coin Identification Paper | | 431318 | 43 |
| 38464P | 27 | Control Harness | |
| 38475 | 27 | 44334302 | 87 |
| 38725 | 27 | 44334404 | 67 |
| Coin Meter | | Control Panel | |
| F0160737-00 | 27 | 70121301* | 43 |
| Coin Vault and Emergency Stop Mount Assembly | | 70121305* | 43 |
| 70529502 | 51 | 70121307W | 43 |
| Coin Vault Assembly | | 70121308 | 43 |
| 70529501 | 51 | 70121309 | 43 |
| Coin Vault Switch Harness | | 70121314DG | 43 |
| 44334101 | 51 | 70121314W | 43 |
| Cold Weather Kit | | 70273315W | 43 |
| 44340301 | 67 | 70273405* | 43 |
| Configuration Harness | | 70273408B | 43 |
| 44280005 | 88 | 70273414 | 43 |
| 44280006 | 88 | 70273416LG | 43 |
| 44280007 | 88 | 70273416W | 43 |
| Contact Base | | Control Panel Stand Bracket | |
| F8538101 | 53 | 70641501 | 49 |
| Contact Switch | | Control Panel Switch Bracket | |
| F8069501 | 53 | 70641601 | 45 |
| Contactors | | Control Plate | |
| 70482601 | 83 | 70497101 | 15, 23 |
| 70482701 | 87 | Control Plate and Studs Assembly | |
| 70482801 | 85 | 70496601 | 17, 19 |
| Contactors Coil Harness | | Control Plate Assembly | |
| 44334307 | 85, 87 | 70497201 | 17, 19 |
| Control | | Control Tray | |
| 70511601 | 67 | 70492401 | 83 |
| Control Assembly | | Control Tray Cover | |
| 70478801P | 17, 19 | 70507501 | 83 |
| 70478802 | 23 | Control Tray Harness Assembly | |
| 70478901 | 19 | 44356401 | 88 |
| 70478902 | 23 | 44356402 | 88 |
| 70479801 | 15 | 44356407 | 88 |
| 70479901 | 15 | Control Trim | |
| 70523001 | 19 | 44016401 | 51 |
| 70523002 | 23 | 70529401 | 51 |
| 70523101 | 15 | Conversion Kit | |
| 70543104 | 25 | 70559301 | 83 |
| 70634803 | 45 | Cylinder and Trunnion Assembly | |
| 70634806W | 45 | 70435201 | 57 |
| 70640001 | 45 | 70435202 | 57 |
| 70640002 | 45 | Cylinder Assembly | |
| 70640003W | 45 | 70372601P | 57 |
| 70640004W | 45 | 70372602P | 57 |
| 70684403 | 45 | | |

N/A items do not appear in index.

| | |
|--|----|
| Cylinder Bearing Stud Plate Assembly 430352 | 61 |
| Cylinder Guide Tool 263P4 | 61 |
| Cylinder Rib Assembly 70433001 | 57 |
| Cylinder Shroud 70347001 | 63 |
| 70347002 | 63 |
| 70432305 | 63 |
| 70432306 | 63 |

D

| | |
|---|------------|
| Damper and Hinge Exhaust Assembly 70209501 | 69, 71 |
| Damper Spacer 70220901 | 71 |
| Danger Label F8614501 | 89 |
| DIN Rail F8134001 | 85, 87 |
| M412690 | 83, 85, 87 |
| DIN Valve Adapter Kit F8382301 | 81 |
| Door Assembly 44058005 | 33 |
| 44058006 | 33 |
| 44058007 | 33 |
| 44058008 | 33 |
| 44287801B | 33 |
| 44287801LGP | 33 |
| 70212300 | 33 |
| 70212301 | 33 |
| 70212302P | 33 |
| 70496501 | 33 |
| 70496502P | 33 |
| 70597701 | 33 |
| 70597702 | 33 |
| 70597703 | 33 |
| 70597704 | 33 |
| 70597705 | 33 |
| 70597706 | 33 |
| 70597707 | 33 |
| 70597708 | 33 |
| 70597709 | 33 |
| Door Catch Kit 70482901 | 51 |
| Door Glass M400784P | 35 |
| 70133601P | 35 |
| 70133602 | 35 |
| 70133604 | 35 |
| Door Glass Installation Tool M4221P4 | 35 |
| Door Glass Label 70650401 | 35 |
| 70707701 | 35 |
| Door Glass Seal Kit 70211901P | 35 |
| Door Handle 44007902P | 35 |
| 44263801 | 35 |
| 44370602 | 35 |
| 70521101 | 35 |

| | |
|--|--------|
| Door Hinge 70115901W | 37 |
| 70115901* | 37 |
| 70115903B | 37 |
| 70115903LG | 37 |
| 70115904 | 37 |
| 70632702LG | 39 |
| 70632702W | 39 |
| 70632704 | 39 |
| 70632706W | 39 |
| 70632708 | 39 |
| 70632710B | 39 |
| 70632712 | 39 |
| Door Hinge Lug Assembly 44035001 | 37 |
| 44035002 | 37 |
| Door Latch M401223 | 51 |
| Door Ring and Handle Assembly 70543907B | 35 |
| 70543907LG | 35 |
| Door Ring Assembly 70543901 | 35 |
| 70543902 | 35 |
| 70543904B | 35 |
| 70543905 | 35 |
| 70543906 | 35 |
| 70597507B | 35 |
| Door Ring Gasket 70296801 | 35 |
| Door Switch Actuator 70532101 | 37 |
| 70532102 | 37 |
| Drive Motor 70478601P | 69 |
| 70485001P | 69 |
| Drive Plate 70571901 | 69 |
| Drive Rivet M400713 | 67 |
| Drywall Screw Magnet Kit 70343101P | 57, 61 |

E

| | |
|---|----|
| Elbow 70208701 | 75 |
| 70428101 | 65 |
| Electronic Coin Drop Assembly 70294107 | 27 |
| 70513302 | 27 |
| 70513303 | 27 |
| 70513304 | 27 |
| 70513306 | 27 |
| 70513308 | 27 |
| 70513309 | 27 |
| 70513310 | 27 |
| 70513311 | 27 |
| 70513312 | 27 |
| 70513313 | 27 |
| 70513314 | 27 |
| 70513315 | 27 |
| 70513316 | 27 |
| Electronic Coin Drop Kit CK099 | 29 |

N/A items do not appear in index.

| | |
|---------------------------------|----------------------------|
| CK100 | 29 |
| CK101 | 29 |
| CK108 | 29 |
| CK109 | 29 |
| CK110 | 29 |
| CK113 | 29 |
| CK115 | 29 |
| CK116 | 29 |
| CK117 | 29 |
| CK118 | 29 |
| CK119 | 29 |
| CK120 | 29 |
| CK121 | 29 |
| EMC Shield | |
| 70608602 | 88 |
| Emergency Stop Button Kit | |
| 70580301 | 53 |
| Emergency Stop Bypass Harness | |
| F8519403 | 53 |
| Emergency Stop Harness | |
| 44272401 | 53 |
| Emergency Stop Label | |
| 44012901 | 53 |
| 44012903 | 53 |
| Emergency Stop Mounting Bracket | |
| 70550401 | 53 |
| Emergency Stop Pushbutton | |
| F200233500 | 53 |
| EMI Filter | |
| F8591601 | 83 |
| F8637501 | 83 |
| EMI Filter Kit | |
| 44357401 | 83 |
| 44357402 | 83 |
| End Cap | |
| 70070101 | 57 |
| 70070102 | 57 |
| End Stop | |
| F8449801 | 83, 85, 87 |
| Ethernet Gateway Kit | |
| NK320 | 31 |
| Exhaust Thimble | |
| 70017801 | 69 |
| Expansion Clip | |
| 70030501 | 17, 19, 31, 51, 83, 85, 87 |

F

| | |
|----------------------|--------|
| False Front | |
| 70021101*P | 41 |
| 70021103DG | 41 |
| 70021103LG | 41 |
| 70021104 | 41 |
| 70024003DG | 41 |
| 70024003LG | 41 |
| 70024004 | 41 |
| False Front Assembly | |
| 70024001*P | 41 |
| Fan Motor | |
| 70478701P | 69, 71 |
| 70484901P | 69, 71 |
| FCC-IC Label | |
| F8613201 | 31 |

| | |
|-----------------------------|--------|
| Ferrite | |
| 204454 | 88 |
| Fill Hose | |
| 202799 | 67 |
| Filter | |
| 70429401 | 81 |
| Filter Bracket | |
| 70533101 | 83 |
| Filter Mounting Plate | |
| 70551701 | 67 |
| Flat Top | |
| 70557701 | 63 |
| Fob Communication Harness | |
| F8719301 | 19 |
| Fob Reader Control Assembly | |
| 205135 | 19 |
| Fob Reader Kit | |
| 70666806 | 31 |
| Front Panel | |
| 70524205* | 47 |
| 70524213DG | 47 |
| 70524213LG | 47 |
| 70524213W | 47 |
| 70524221 | 47 |
| 70622701 | 47 |
| 70622901* | 47 |
| 70623001* | 47 |
| 70623601* | 47 |
| 70623701LG | 47 |
| Front Panel Assembly | |
| 70622501 | 47 |
| 70622601 | 47 |
| 70622902W | 47 |
| 70623002W | 47 |
| 70623401DG | 47 |
| 70623501DG | 47 |
| 70623602W | 47 |
| 70623701DG | 47 |
| 70705211 | 49 |
| 70705211W | 49 |
| 70705212 | 49 |
| 70705212W | 49 |
| 70705213LG | 49 |
| 70705213W | 49 |
| 70705214 | 49 |
| 70705214W | 49 |
| Front Panel Seal | |
| 70173401P | 47, 49 |

G

| | |
|-------------------|----|
| Gas Burner | |
| 70229801P | 75 |
| Gas Line Assembly | |
| 70271201 | 75 |
| Gas Valve | |
| 44154507 | 75 |
| 44154508 | 75 |
| Gas Valve Bracket | |
| 70504101 | 75 |
| Gas Valve Cover | |
| 70429901 | 75 |
| Gas Valve Harness | |
| 44273501 | 75 |

N/A items do not appear in index.

| | |
|----------------------|------------|
| Gasket | |
| 70289101P | 49, 55 |
| 70392701P | 71 |
| Ground Lug Connector | |
| M411283 | 83, 85, 87 |

| | |
|---------------------------|----|
| Hose Fitting | |
| 44069101 | 67 |
| Hot Surface Warning Label | |
| F8609001 | 89 |
| F8614301 | 89 |

H

| | |
|--------------------------------|--------|
| Hairpin Cotter | |
| 70389301 | 81 |
| Handle and Caps Assembly | |
| 70154403 | 55 |
| 70154414 | 55 |
| Handle Bumper | |
| 70407208 | 55 |
| Harness | |
| F8617901 | 25 |
| 44309001 | 85 |
| 44309002 | 87 |
| 44309011 | 85 |
| 44309012 | 87 |
| 44316001 | 88 |
| 44316002 | 88 |
| 44316007 | 88 |
| 44316008 | 88 |
| 70516101 | 85 |
| 70516102 | 85 |
| 70516103 | 85, 87 |
| 70516104 | 85 |
| 70516105 | 85 |
| 70516106 | 85, 87 |
| Harness Adapter Plate | |
| 70523301 | 65, 67 |
| Harness Mounting Plate | |
| 70307007 | 31 |
| Heater Element | |
| 70034404P | 79 |
| 70034405P | 79 |
| 70034406P | 79 |
| 70034410P | 79 |
| 70034411 | 79 |
| 70034412P | 79 |
| 70034413P | 79 |
| 70034414P | 79 |
| 70034415P | 79 |
| 70034416P | 79 |
| 70034417 | 79 |
| 70034418P | 79 |
| High Altitude Orifice Kit | |
| 70609905 | 77 |
| 70609906 | 77 |
| High Voltage Suppression Cable | |
| 44239702 | 75 |
| Hinge Cam Kit | |
| M4772P3 | 37 |
| M4773P3 | 37 |
| Hold-Down Clip | |
| 35865 | 49, 63 |
| Hole Plug | |
| 70063201 | 63 |
| 70180001 | 85, 87 |
| Hose | |
| 44073304 | 67 |
| Hose Clamp | |
| 36801 | 67 |

I

| | |
|---------------------------------|----|
| Idler Wheel Assembly | |
| 70050401P | 69 |
| Igniter Cover | |
| 70159601 | 75 |
| Ignition Control | |
| 70482001 | 83 |
| 70482002 | 83 |
| Ignition Keeper Orifice Bracket | |
| 70539901 | 75 |
| Insulator | |
| M413862 | 83 |
| Interconnect Harness | |
| 44334401 | 67 |
| Inverter Contactor Coil Harness | |
| 44334702 | 88 |
| Inverter Motor Harness | |
| 44335301 | 88 |
| 44335302 | 88 |
| I/O Control Assembly | |
| 70479201P | 83 |

J

| | |
|-----------------|----|
| Jumper Bar | |
| 70066501 | 79 |
| Jumper Harness | |
| D511476 | 51 |
| 442295412 | 79 |
| 44281709 | 79 |
| Jumper Strip | |
| M400869 | 79 |

K

| | |
|----------------|--------|
| Key | |
| 70155601 | 51, 67 |
| 70155602 | 51 |
| Kickplate | |
| 70117603 | 55 |
| 70117617 | 55 |

L

| | |
|----------------|------------|
| Label | |
| D516100 | 83, 85, 87 |
| 44108201 | 47, 49 |
| 44190901 | 47 |
| 44286801 | 83 |
| 44286803 | 83, 85, 87 |
| 44318201 | 67 |
| 70472801 | 49 |

N/A items do not appear in index.

| | |
|--------------------------------|--------|
| Label Kit | |
| F8614500 | 89 |
| 44318200 | 67 |
| 44324500 | 67 |
| 70534300 | 47 |
| 70535100 | 89 |
| Lever Arm and Belt Kit | |
| 70655102 | 69 |
| Lever Arm and Bushing Assembly | |
| 70653801 | 69 |
| Light | |
| 801432 | 67 |
| Limit Access Bracket | |
| 70554901 | 71 |
| Limit Thermostat | |
| 44328001 | 71 |
| 44328004 | 75 |
| 44328006 | 79 |
| 44328101 | 75 |
| 70530901 | 71 |
| Lint Panel | |
| 7051502 | 55 |
| 70515501* | 55 |
| 70515503LG | 55 |
| 70515503W | 55 |
| 70515504DG | 55 |
| 70515504LG | 55 |
| 70515504W | 55 |
| 70515505 | 55 |
| 70515506W | 55 |
| Lint Panel Pivot Plate | |
| 70016701 | 55 |
| Lint Screen | |
| 70325601 | 63 |
| Lock Catch Bracket | |
| 70654501 | 45 |
| Lock Shim | |
| 70342401 | 51 |
| Lock, Key and Nut Kit | |
| 44089301P | 51, 67 |
| 44089302P | 51 |
| Lower Hinge Gusset | |
| 70632002 | 39 |
| Lower Lug Assembly | |
| 70639302 | 39 |
| 70639304 | 39 |
| Lower Pan | |
| 70326601 | 63 |
| Lower Rear Assembly | |
| 70493301 | 69 |
| L.P. Conversion Kit | |
| 70550203 | 75 |
| 70551903 | 75 |
| L.P. Valve | |
| 44154504 | 75 |

M

| | |
|-----------------------------|----------------|
| Machine ID Control Assembly | |
| 203361P | 17, 19, 23, 25 |
| Magnet | |
| 70343101 | 55 |
| Magnet Bracket | |
| 44290501 | 55 |

| | |
|--------------------------------|--------|
| Male Tab Terminal | |
| 00621SG | 83 |
| Max Fill Line Label | |
| 70707501 | 35 |
| Mixing Valve | |
| 70519801 | 67 |
| Mixing Valve Shield Bracket | |
| 44306601 | 67 |
| Moisture Sensor Harness | |
| 44333903 | 59 |
| Motor Conduit Mounting Bracket | |
| 70521901 | 69 |
| Motor Contactor Power Harness | |
| 44280001 | 88 |
| 44280003 | 88 |
| 44280010 | 88 |
| 44280012 | 88 |
| Motor Mount Bracket | |
| 70564101 | 69 |
| Motor Mount Plate | |
| 70564201 | 69 |
| Motor Pulley | |
| 70559101 | 69 |
| Mounting Bracket | |
| 70601401 | 67 |
| 70604001 | 31 |
| Mounting Plate | |
| 70208801 | 17, 19 |

N

| | |
|-------------------|------------------------|
| Nameplate | |
| B12389801 | 51 |
| F8443105 | 51 |
| F8688001 | 51 |
| F8688801 | 51 |
| 567887 | 51 |
| 70685701 | 51 |
| Nameplate Overlay | |
| 44104501 | 51 |
| 70115601 | 51 |
| Notice Label | |
| D516073 | 89 |
| F8609501 | 89 |
| 70535901 | 75 |
| 70539601 | 89 |
| 70544901 | 75 |
| Nozzle Bracket | |
| 70424201 | 65 |
| 70428601 | 65 |
| Nut | |
| M400022 | 59, 61, 71 |
| M400034 | 61, 71 |
| M404993 | 63 |
| M412986 | 61 |
| M414215 | 35 |
| 21899 | 63 |
| 23951 | 55 |
| 430576 | 63 |
| 44071201 | 25 |
| 44087201 | 57, 69 |
| 44087301 | 69 |
| 44088001 | 35, 37, 39, 83, 85, 87 |
| 44088801 | 51 |
| 44333202 | 69 |

N/A items do not appear in index.

| | |
|----------------|--------|
| 51236 | 55 |
| 56156 | 69 |
| 70030401 | 49 |
| 70054 | 19, 79 |
| N.G. Valve | |
| 44154503 | 75 |

O

| | |
|------------------------|--------|
| Opto Coupler | |
| 200674P | 27 |
| Orifice Adapter | |
| 70379301 | 75 |
| Orifice Holder Bracket | |
| 70248901 | 75 |
| Overlay | |
| F8205101 | 17, 19 |
| F8696101 | 17, 19 |
| F8696201 | 19 |
| F8696301 | 17, 19 |
| F8696302 | 17, 19 |
| F8733901 | 19 |
| F8734201 | 19 |
| F8736501 | 19 |
| 70295101 | 19 |
| 70512004 | 21 |
| 70512005 | 21 |
| 70512006 | 21 |
| 70512007 | 21 |
| 70512008 | 21 |
| 70516801 | 15 |
| 70516802 | 15 |
| 70517001 | 21 |
| 70517002 | 21 |
| 70517003 | 21 |
| 70517004 | 21 |
| 70517005 | 21 |
| 70517801 | 15 |
| 70517802 | 15 |
| 70518101 | 19 |
| 70518102 | 19 |
| 70518201 | 21 |
| 70518202 | 21 |
| 70518203 | 21 |
| 70519001 | 15 |
| 70519002 | 15 |
| 70539101 | 15 |
| 70539102 | 15 |
| 70541201 | 21 |
| 70541202 | 21 |
| 70541203 | 21 |
| 70544701 | 17 |
| 70544702 | 17 |
| 70544703 | 17 |
| 70545501 | 15 |
| 70545502 | 15 |
| 70548801 | 23 |
| 70548802 | 23 |
| 70556201 | 19 |
| 70556301 | 19 |
| 70556401 | 19 |
| 70556402 | 19 |
| 70556501 | 17, 19 |
| 70556502 | 17, 19 |
| 70556601 | 19 |
| 70556701 | 19 |
| 70556801 | 19 |

| | |
|----------------|--------|
| 70556901 | 19 |
| 70557001 | 17, 19 |
| 70557002 | 17, 19 |
| 70559001 | 21 |
| 70570301 | 17 |
| 70570302 | 17 |
| 70570303 | 17 |
| 70570601 | 23 |
| 70570602 | 23 |
| 70570801 | 23 |
| 70570802 | 23 |
| 70571001 | 21 |
| 70571002 | 21 |
| 70571003 | 21 |
| 70571101 | 21 |
| 70571102 | 21 |
| 70571103 | 21 |
| 70571104 | 21 |
| 70571401 | 23 |
| 70571402 | 23 |
| 70571601 | 23 |
| 70571602 | 23 |
| 70595401 | 25 |
| 70626301 | 21 |
| 70626302 | 21 |
| 70626303 | 21 |
| 70636101 | 17 |
| 70636102 | 17 |
| 70636103 | 17 |
| 70636201 | 21 |
| 70636202 | 21 |
| 70636203 | 21 |
| 70636204 | 21 |
| 70636205 | 21 |
| 70636302 | 21 |
| 70636303 | 21 |
| 70636401 | 23 |
| 70636402 | 23 |
| 70636501 | 15 |
| 70636502 | 15 |
| 70637601 | 21 |
| 70637602 | 21 |
| 70637603 | 21 |
| 70637604 | 21 |
| 70637605 | 21 |
| 70638201 | 17 |
| 70638202 | 17 |
| 70638203 | 17 |
| 70638301 | 23 |
| 70638302 | 23 |
| 70638701 | 15 |
| 70638702 | 15 |
| 70638801 | 15 |
| 70638802 | 15 |
| 70638901 | 23 |
| 70638902 | 23 |
| 70639001 | 25 |
| 70645601 | 19 |
| 70645701 | 19 |
| 70645801 | 19 |
| 70645901 | 19 |
| 70646001 | 17, 19 |
| 70646002 | 17, 19 |
| 70646101 | 19 |
| 70646102 | 19 |

N/A items do not appear in index.

P

| | |
|--------------------------------|--------------------------------|
| Panel Locator | |
| 56079 | 51, 55 |
| Panel Lock | |
| 44089304 | 51 |
| 44089305 | 51 |
| Pin | |
| 70071401 | 37 |
| Pinch Warning Label | |
| F8615701 | 89 |
| 70538401 | 89 |
| Pipe Clip | |
| 70203701 | 75 |
| Pipe Plug | |
| 70346801 | 75 |
| Plug | |
| 70167601 | 75 |
| 70180001 | 67 |
| Pop Rivet | |
| M400003 | 43, 83 |
| M405750 | 75 |
| 44166601 | 51 |
| 70058501 | 37, 39, 49, 55, 63, 81, 83, 87 |
| 70058502 | 85, 87 |
| 70126301 | 55 |
| 70126401 | 55 |
| Porcelain Touch-Up Paint | |
| 122P4P | 63 |
| 370P4P | 63 |
| Power Distribution Block | |
| M413865 | 85, 87 |
| Power Distribution Block Cover | |
| 44014901P | 85, 87 |
| Power Harness | |
| 44272101 | 88 |
| 44280101 | 88 |
| Power Sensor Harness | |
| 44334402 | 67 |
| Primary Air Adjustment Sleeve | |
| 70239801 | 75 |
| Pushbutton Switch | |
| 70413301 | 15, 17, 19, 23, 45, 51 |
| Push-to-Start Switch | |
| 801434W | 67 |

R

| | |
|-------------------------------|----|
| Rear Bearing Shim | |
| 70355001 | 61 |
| Rear Cylinder Bearing Housing | |
| 70013901 | 61 |
| Rear Cylinder Channel | |
| 70257101 | 57 |
| 70257102 | 57 |
| Rear Cylinder Channel Plate | |
| 70257201 | 57 |
| Rear Cylinder Seal | |
| 70013701P | 61 |
| Rear Cylinder Seal Support | |
| 70506402 | 61 |

| | |
|------------------------|----|
| Rear Lint Panel | |
| 70564401 | 55 |
| Rear Panel | |
| 70564701 | 61 |
| 70564702 | 61 |
| 70564703 | 61 |
| 70564704 | 61 |
| Reed Switch Assembly | |
| F8066804 | 55 |
| Rivet | |
| 70614201 | 49 |
| Roller and Seal Kit | |
| 70616701 | 63 |
| Roller Catch Arm | |
| 70030301 | 55 |
| Roller Catch Spacer | |
| 70030201 | 55 |
| Roller Catch Wheel | |
| 70297601 | 55 |
| Roller Seal | |
| 70443601 | 63 |
| Roller Shaft | |
| 70249501 | 63 |
| Roller Support Bracket | |
| 70328301 | 63 |

S

| | |
|----------|--|
| Screw | |
| F430144 | 69 |
| F8206901 | 31, 83, 85, 87 |
| F8458801 | 39 |
| M400044 | 37 |
| M400661 | 35 |
| M405188 | 41, 75 |
| M411072 | 17, 19, 31, 49, 51 |
| 05161 | 75 |
| 33562 | 25 |
| 39733 | 51, 55, 85 |
| 430497 | 45, 55, 57, 63, 65, 67, 71, 73, 75, 79 |
| 430757 | 55 |
| 44349101 | 39 |
| 51780 | 31, 65, 67, 85, 87 |
| 51783 | 83 |
| 62588 | 57 |
| 685837 | 83, 85, 87 |
| 70033502 | 37 |
| 70072801 | 55 |
| 70126101 | 71 |
| 70126104 | 69 |
| 70132301 | 55 |
| 70247701 | 63 |
| 70391101 | 57 |
| 70407301 | 37 |
| 70436301 | 37 |
| 70442101 | 35 |
| 70501301 | 69 |
| 70508301 | 69 |
| 70546301 | 69 |
| 70576101 | 37 |
| 70640201 | 39 |
| 70640301 | 39 |
| 802822 | 39 |
| 804608 | 15, 17, 19, 23, 25, 67 |

N/A items do not appear in index.

| | | | |
|--|------------|---|----|
| Sensor Harness 44334406 | 67 | Stove Connectors Cover 70365201 | 79 |
| Sheet Metal Edge Gasket 70015710 | 63 | Stove Grill 70214901 | 79 |
| 70015711 | 63 | Stove Limit Bypass Harness 70564302 | 81 |
| Shield 44326801 | 67 | Stove Limit Harness 70564301 | 75 |
| Shock Warning Label F8614201 | 67, 89 | 70564303 | 79 |
| F8614401 | 67 | Stove Partition 70357201 | 79 |
| Side Panel 70021502LG | 63 | Stove Top and Sides 70333401 | 75 |
| 70021502*P | 63 | 7052601 | 79 |
| 70021504DG | 63 | Strain Relief 44304801 | 81 |
| 70021504W | 63 | Street Elbow F422304 | 75 |
| 70253801DG | 63 | H86070034 | 75 |
| 70253801LG | 63 | Support Bearing 70448701 | 61 |
| 70253801*P | 63 | Support Housing Bearing Assembly 430260P | 61 |
| 70253802DG | 63 | Switch 70411901 | 73 |
| 70253802W | 63 | Switch Bracket 70356301 | 73 |
| 70640901DG | 63 | 70508501 | 55 |
| 70640901LG | 63 | Switch Hole Plug 44057801B | 51 |
| 70640902DG | 63 | 44057801LG | 51 |
| 70640902W | 63 | 44057801Q | 51 |
| Slip Ring Assembly 44222702 | 59 | 44057801W | 51 |
| Slip Ring Holder 70455401 | 59 | | |
| Slot Card Plate Assembly 44089501 | 17, 19 | | |
| Snap Bushing M400770 | 75, 85, 87 | | |
| M402542 | 85, 87 | | |
| 70178701 | 65, 83 | | |
| Spacer 70488403 | 69 | | |
| Spark Electrode 70548701P | 75 | | |
| Spray Nozzle 70427801 | 65 | | |
| Spray Nozzle Hose 70427701 | 65 | | |
| Spray Paint 298P4P | 63 | | |
| 381P4 | 63 | | |
| Spring 70571801 | 69 | | |
| Spring Catch Bracket 70543401 | 69 | | |
| Standoff 70569603 | 69 | | |
| Steam Adapter Kit 70529601 | 81 | | |
| Steam Coil 70369101P | 81 | | |
| Steam Control Assembly 70501801 | 83 | | |
| Steam Filter Holder 70369301 | 81 | | |
| Steam Valve F8322904P | 81 | | |
| Steam Valve Harness F8520703 | 81 | | |
| Stove Back 70371501 | 75 | | |

T

| | |
|---|----|
| Tensioning Bracket 70569501 | 69 |
| Terminal 00622SG | 83 |
| Terminal Block 430642 | 83 |
| Terminal Block Shield 70333001 | 83 |
| Thermistor M414704 | 71 |
| 44064701 | 65 |
| Thermistor Plate 70424401 | 65 |
| Thermostat Cover M414477 | 75 |
| Top Pan 70641301 | 63 |
| Top Panel 70586501 | 63 |
| Transformer F8491101 | 83 |
| 202757 | 31 |
| 202758 | 31 |
| Transformer Harness 44272301 | 31 |
| 44272302 | 31 |

N/A items do not appear in index.

| | |
|-----------------------|----|
| Trunnion and Seal Kit | |
| 70564803 | 57 |
| 70564804 | 57 |
| Tube Assembly | |
| 70427601 | 65 |
| Tumbler Dolly Kit | |
| M4379P4 | 63 |

U

| | |
|-------------------------------|----|
| Union Tee | |
| 70427901 | 65 |
| Upper Hinge Gusset | |
| 70632001 | 39 |
| Upper Lug Assembly | |
| 70639301 | 39 |
| 70639303 | 39 |
| USB Bracket | |
| 70547001 | 25 |
| USB Gateway Kit | |
| NK330 | 31 |
| USB IR Interface Kit | |
| 203346 | 31 |
| USB-Serial Interface Assembly | |
| 203440 | 25 |

V

| | |
|-------------------------|----------------|
| Valve | |
| F8322906P | 81 |
| Vend Activation Harness | |
| 44334004 | 15, 17, 19, 23 |

W

| | |
|---------------------|------------|
| Warning Label | |
| F8611601 | 85, 87, 89 |
| 44321601 | 89 |
| 44324101 | 89 |
| 44324501 | 67 |
| 44324502 | 67 |
| 70534301 | 47, 49 |
| 70534302 | 47, 49 |
| 70534305 | 89 |
| 70536301 | 89 |
| Warning Label Kit | |
| F8611600 | 85, 87 |
| Washer | |
| M400991 | 61, 71 |
| 70261401 | 63 |
| 70411301 | 57 |
| Water Valve Harness | |
| 44334405 | 67 |
| Wire Clip | |
| F8449501 | 83 |
| F8449502 | 83 |
| Wire Guard | |
| 201595P | 27 |
| Wire Label | |
| 44286802 | 83, 85 |
| 44286804 | 83 |

N/A items do not appear in index.

| | |
|-----------------------------------|----|
| Wireless Control Label | |
| 204692 | 31 |
| Wireless Network Board Harness | |
| F8536002 | 31 |
| Wireless Network Control Assembly | |
| 203532 | 31 |
| 807211 | 31 |
| Wireless Network Harness | |
| F8674006 | 31 |
| Wireless Network Kit | |
| 70596301 | 31 |
| 70609701 | 31 |
